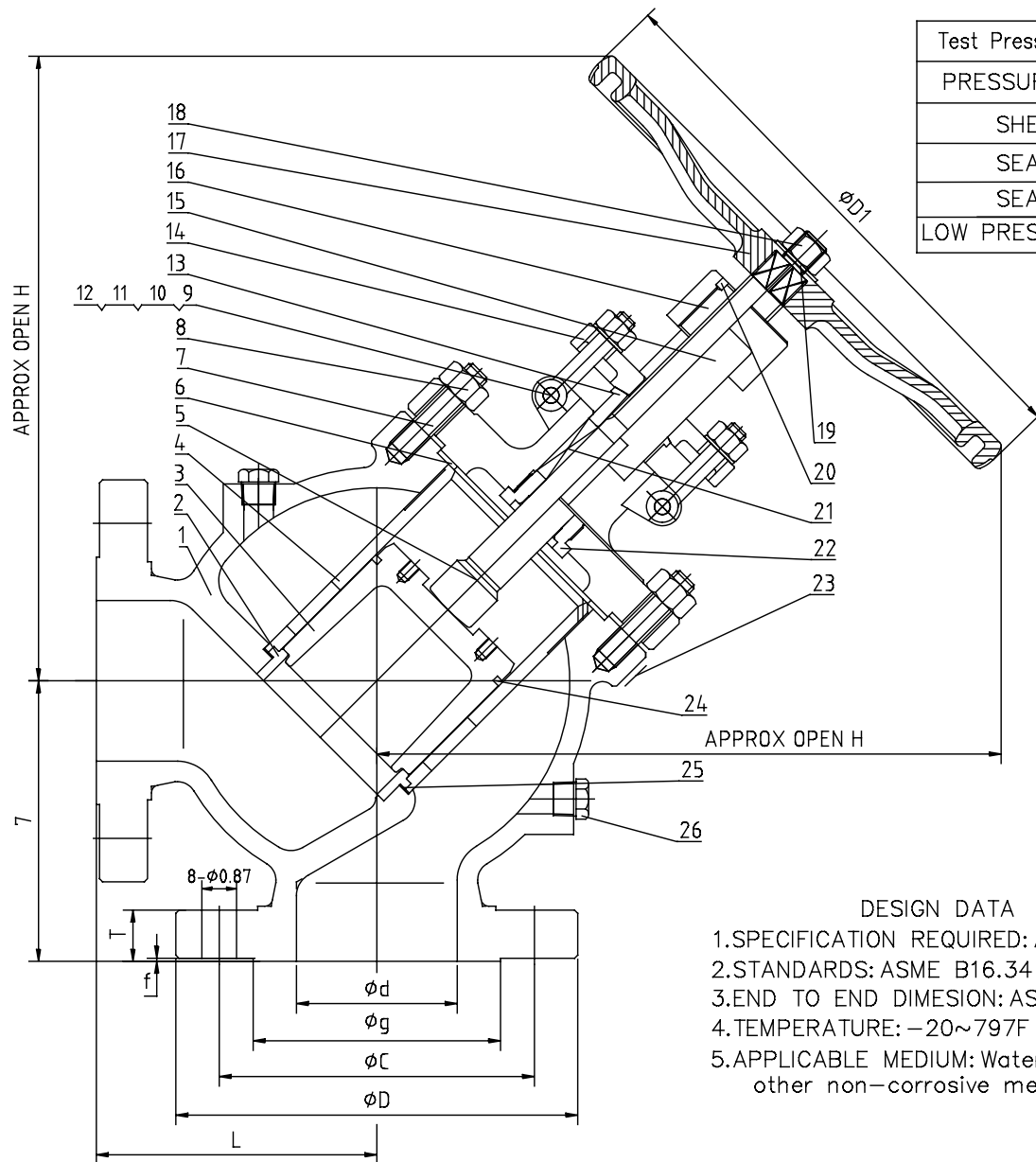


Test Pressure Specifications Table	
PRESSURES CLASS	300LB
SHELL	1117
SEAT	812
SEAT	812
LOW PRESSURE SEAT	87

No.	Name	Pcs	Material
1	Body	1	A216 WCB
2	Seat	1	A105+STL
3	Disc	1	WCB+STL
4	Bushing	1	WCB
5	Stem	1	A182 F6a
6	Gasket	1	304+Metal Graphite
7	Bonnet Bolt	8	A193 B7
8	Bonnet Nut	8	A194 2H
9	Gland Bolt	2	A193 B7
10	Gland Nut	2	A194 2H
11	Washer	2	CS
12	Pin	2	A29 1035
13	Gland	1	A276 410
14	Gland Flange	1	A216 WCB
15	Bonnet	1	A216 WCB
16	Yoke Sleeve	1	A439 D-2
17	Hand Wheel	1	QT400
18	Hand Nut	1	A194 2H
19	Washer	1	CS
20	Set Screws	1	A192 1035
21	Packing	7	GRAPHITE
22	Bonnet Bush	1	A276 410
23	Plate	1	304
24	Disc Ring	1	ALLOY CAST IRON
25	Seat ring	1	304+GRAPHITE
26	Drain Plug	2	304



DESIGN DATA

- 1.SPECIFICATION REQUIRED: ASME B16.34,BS1873.
- 2.STANDARDS: ASME B16.34 300LB.
- 3.END TO END DIMENSION: ASME B16.10.
- 4.TEMPERATURE: -20~797F
- 5.APPLICABLE MEDIUM: Water, steam, oil and other non-corrosive medium.

(UNIT:Inch)

Size	d	g	C	D	L	T	f	D1	H	N-φh	Weight
3	3	5.00	6.62	8.25	6.26	1.12	0.06	12.4	15.9	8-φ0.87	137lbs
4	4	6.19	7.88	10.00	7.00	1.25	0.06	14.0	17.1	8-φ0.87	190lbs

STEAMCO
FIG# 300ANR