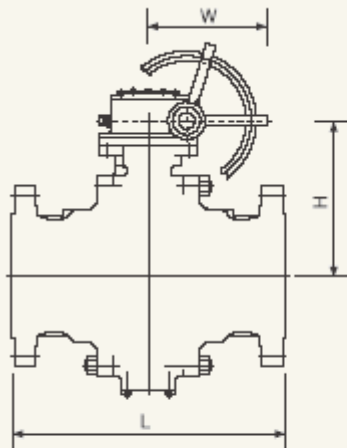
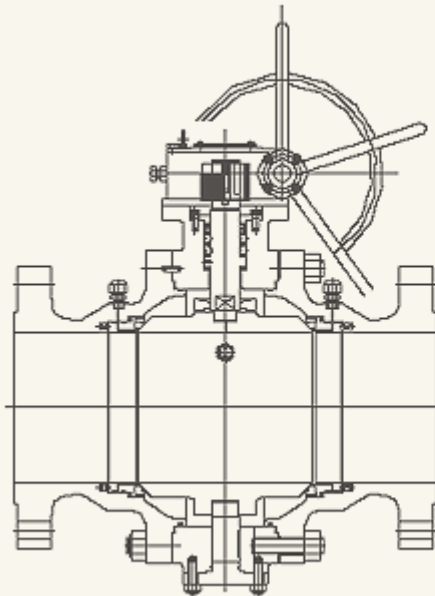


## Cast Steel 150, 300&600 Three Piece Trunnion Ball Valve



### Class 150

	BxB	L	H	W	Weight	Remarks
16	387	762	590	600	750	
18X16	387	864	590	600	790	
18	438	864	670	600	980	
20X18	438	914	670	600	1030	
20	489	914	750	800	1190	
24X20	489	1067	750	800	1570	
24	591	1067	930	800	2100	

### Class 300

	BxB	L	H	W	Weight	Remarks
16	387	838	590	600	1020	
18X16	387	914	590	600	1100	
18	438	914	670	600	1280	
20X18	438	991	670	600	1360	
20	489	991	750	800	1540	
24X20	489	1143	750	800	1950	
24	591	1143	930	800	2600	

### Class 600

	BxB	L	H	W	Weight	Remarks
10	248	787	460	600	600	
12x10	248	838	485	600	660	
12	298	838	570	800	820	
14x12	298	889	570	800	1060	
14	327	889	610	800	1130	
16x14	327	991	610	800	1440	
16	375	991	680	800	1550	
18x16	375	991	680	800	1860	
18	419	1092	720	800	2100	
20x18	419	1194	720	800	2400	
20	464	1194	798	950	2800	
24x20	464	1397	798	950	3900	
24	559	1397	830	950	5300	

#### Note

- 1) BxB= Ball Bore
- 2) Weight : kg
- 3) Pressure Relief Pulg : NPT 1/2"
- 4) Stem and Seat Sealant Injection