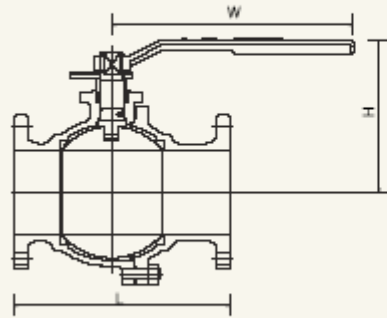


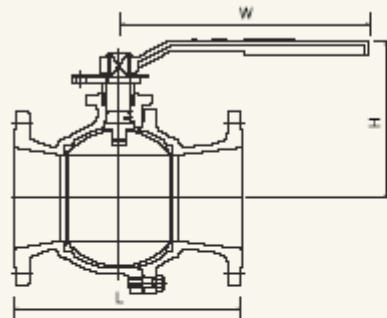
Cast Steel 150, 300 Two-Piece Floating Ball Valve

Class 150

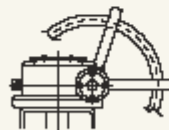


	BxB	L	H	W	Weight
1 1/2"	38	165	98	240	8
2X1 1/2	38	178	125	240	9
2	51	178	138	240	11
3X2	51	203	138	240	15
3	76	203	174	240	22
4X3	76	229	174	240	25
4	102	229	200	350	34
6X4	102	394	200	350	64
6	152	394	275	440	84
8X6	152	457	275	440	100
8	203	457	310	380	120
10X8	203	533	310	380	150

Class 150



	BxB	L	H	W	Weight
1 1/2"	38	191	98	240	9
2X1 1/2	38	216	98	240	12
2	51	216	138	240	14
3X2	51	283	138	240	22
3	76	283	174	240	31
4X3	76	305	174	240	39
4	102	305	200	350	46
6X4	102	403	200	350	84
6	152	403	275	440	106
8X6	152	502	275	440	130
8	203	502	310	380	175
10X8	203	568	310	380	190



- Gear operated
: 8" and Larger

Note

- 1) BxB=Ball Bore
- 2) Weight : kg
- 3) Pressure Relief Plug
NPT 1/4 : 4*3 and Below
NPT 1/2 : 4" and Larger