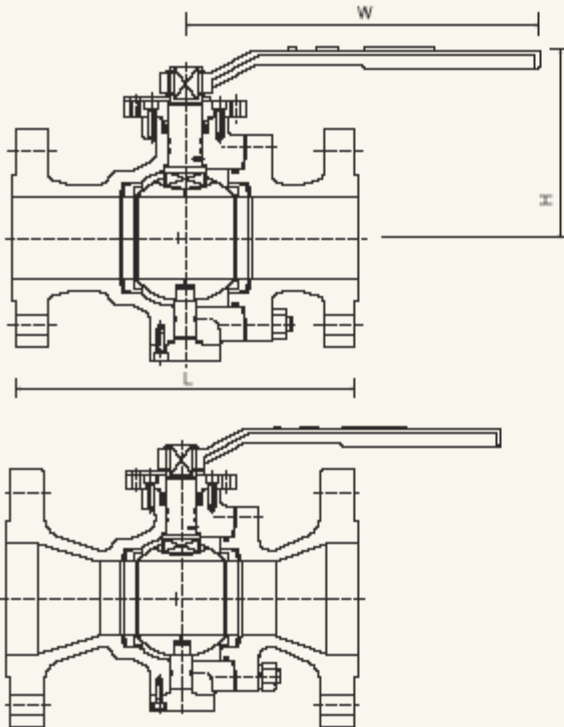


## Cast Steel 600 Two-Piece Ball Valve

Class 600

### • Trunnion Type : 4" and Larger

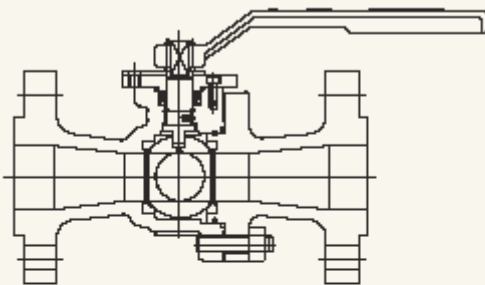


	BxB	L	H	W	Weight
2X1 1/2	38	292	120	240	17
2	51	292	145	240	22
3X2	51	356	145	240	31
3	76	356	170	350	46
4X3	76	432	170	350	68
4	102	432	200	440	89
6X4	102	559	200	440	127
6	152	559	310	380	228
8X6	152	660	310	380	273
8	200	660	330	600	365
10X8	200	787	330	600	580
10	248	787	460	600	600

#### Note

- 1) BXB=Ball Bore
- 2) Weight : kg
- 3) Pressure Relief Pulg  
 NPT 1/4" : 2+1 1/2" - 3"  
 1/2" : 4" and Larger
- 4) Stem and Seat Sealant Injection  
 6" and Larger

### • Floating type : 3" and Below



### • Gear operated : 6" and Larger

