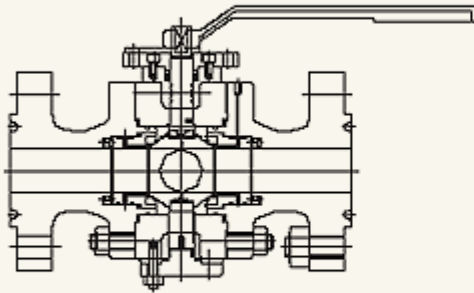
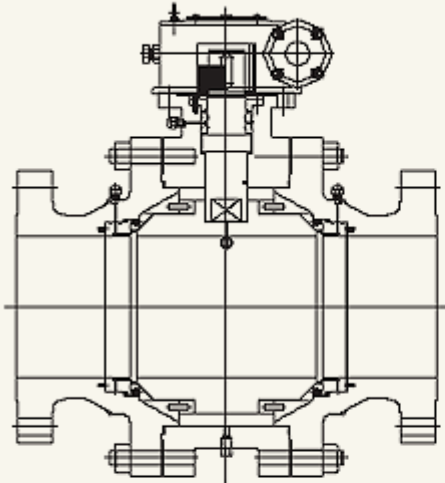


Cast Steel 900 Three Piece Trunnion Ball Valve



• 4" and Below



• 6" and Larger
Refer to Page 16

Class 900

	BxB	L	H	W	Weight	Remarks
2X1 1/2	35	368	180	240	45	
2	47	368	205	240	51	
3X2	47	381	205	240	57	
3	73	381	220	350	88	
4X3	73	457	220	350	93	
4	98	457	267	440	170	
6X4	98	610	267	440	230	
6	146	610	350	600	390	
8X6	146	737	350	600	480	
8	190	737	460	600	620	
10X8	190	838	460	600	670	
10	238	838	572	800	820	
12X10	238	965	572	800	950	
12	282	965	610	800	1230	

Note

- 1) BxB=Ball Bore
- 2) Weight : kg
- 3) Stem Sealant Injection Fitting : All Size
- 4) Seat Sealant Injection Fitting : 6" and Larger

