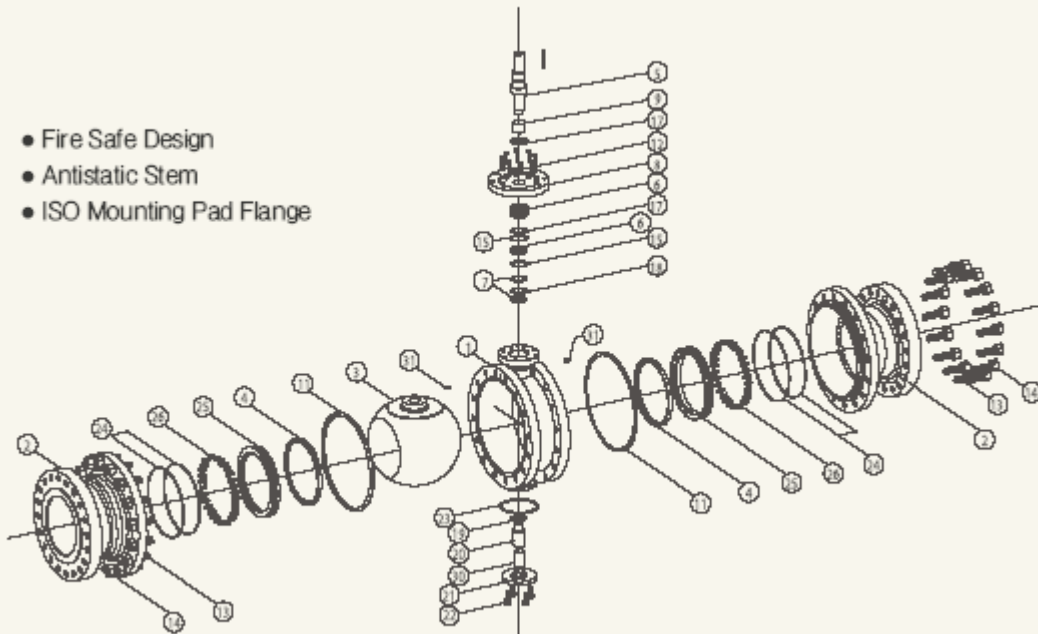


## Cast Steel Three Piece Trunnion Ball Valves

- Fire Safe Design
- Antistatic Stem
- ISO Mounting Pad Flange



### STANDARD MATERIALS

No	Nomenclature	Cast steel	Stainless steel	Remark
1	Body	A352-LCC/NACE	A351-CF8M	
2	Cap	A352-LCC/NACE	A351-CF8M	
3	Ball	A351-CF8M		
4	Seat Ring	A351-CF8M		
5	Stem	A276-316		
6	Packing	Grafoil		
7	Lantern Ring	A276-316		
8	Gland	A576-1045	A276-304	
9	Gland Bolt	A307-Gr.B	A193-B8	
10	Bracket	Carbon steel		
11	Gasket (Sprial Wound)	Graphite 15%		
13	Stud Bolt	A350-L7M	A193-B8M	
14	Nut	A194-7M	A194-8M	
15	O-Ring	HSN		
16	O-Ring	HSN		
17	O-Ring	HSN		
18	Anti-static Device	316SS		
19	O-Ring	Graphite 15%		
20	Lower Stem	A276-316		
21	Lower Cover	A576-1045	A351-CF8	
22	Lower Cover Bolt /Nut	A350-L7M/7M	A193-B8M/8M	
23	Gasket	Graphite 15%		
24	Thrust Washer	Graphite 15%		

25	Retainer	A276-316 or A351-CF8M		
26	Coil Spring	Inconel X-750		
30	Lower Stem Bushing	Graphite 15%		
31	Lower Gasket	Graphite 15%		
32	Gear Box(Worm Gear)	Ductile iron		
33	Retainer Seal	Grafoil		
34	Stem sealant Fitting	A350-LF2	Stainless steel	
35	Seat sealant Fitting	A350-LF2	Stainless steel	
36	Body Bleed Fitting	A350-LF2	Stainless steel	
37	Lower Plug	A350-LF2	Stainless steel	