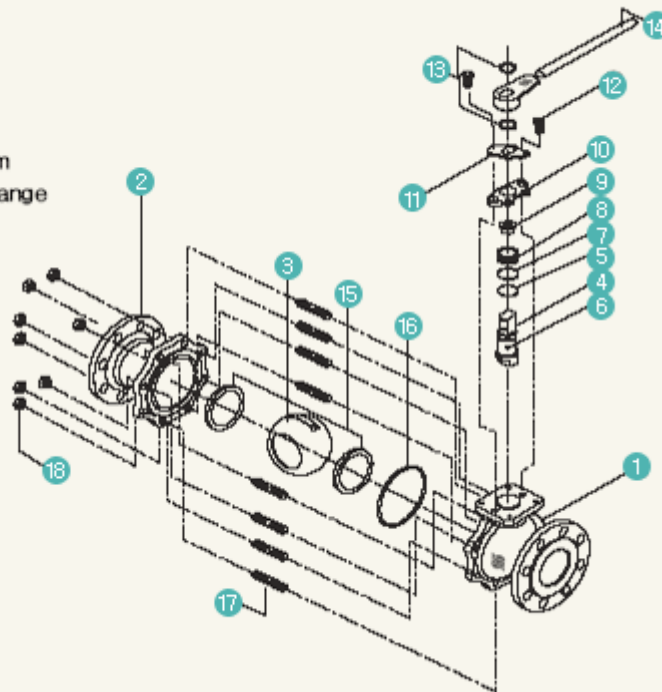


Cast Steel Two-Piece Floating Ball Valves

- Fire Safe Design
- Antistatic Stem
- Locking Device
- Blow-Out Proof Stem
- ISO Mounting Pad Flange



STANDARD MATERIALS

No	Part name	Cast steel	Stainless steel
1	Body	Refer to page 5 Shell materials	
2	Cap		
3	Ball	A 351 Gr. CF 8M	
4	Stem	A 276 Gr. 316	
5	Back Seat	Grafoil	
6	Antistatic Device	Stainless Steel	
7	O-Ring	Viton or HSN	
8	Gland Packing	Grafoil	
9	Gland Ring	Same as Stem material	
10	Gland Flange(Locking Device)	CF8M & 316SS	
11	Stopper	A 105 + Zn plating	
12	Gland Bolt	A307 Gr. B	A193 B8
13	Snap Ring	Tool steel + Cr plating	
14	Lever	Ductile iron	
15	Seat Ring	Refer to page 5 Seal materials	
16	Gasket	Refer to page 5 Gasket materials	
17	Stud Bolt	Refer to Page 22 Bolt & Nut Materials	
18	Nut		