

Steamco Valves

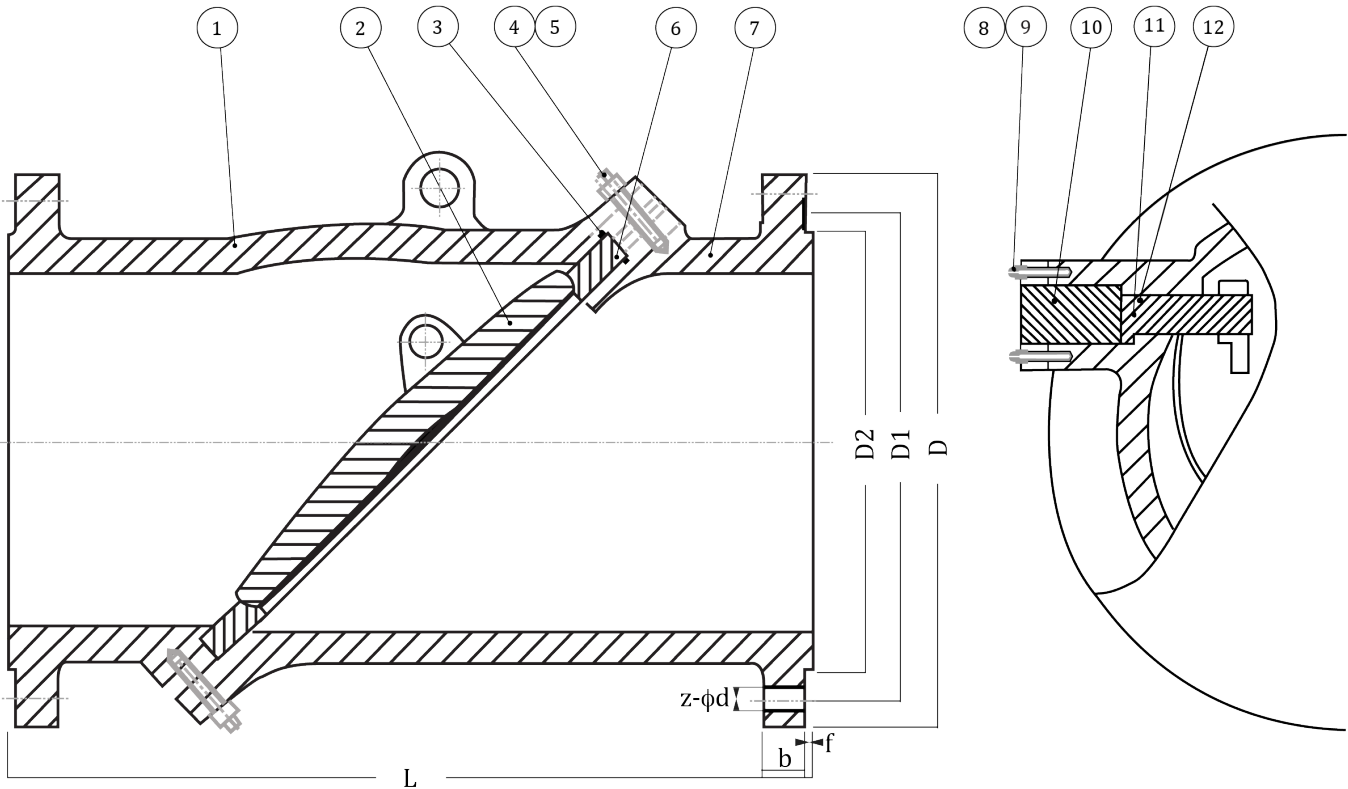
APPLICABLE STANDARDS

BASIC DESIGN: BS 1868

FLANGE DIMENSIONS: ASME B16.5

FACE TO FACE DIMENSIONS: ASME B16.10

WORKING PRESSURE: 150 PSI



SIZE	L	D	D1	D2	b	z-φd	WEIGHT
2	8	6	4.75	3.63	0.63	4 x 3/4	37
3	9.5	7.5	6	5	0.75	4 x 3/4	59
4	11.5	9	7.5	6.19	.94	8 x 3/4	101
6	14	11	9.5	8.5	1	8 x 7/8	176
8	19.5	13.5	11.75	10.62	1.14	8 x 7/8	297
10	24.5	16	14.25	12.75	1.22	12 x 1	496
12	27.5	19	17	15	1.26	12 x 1	694
14	31	21	18.75	16.25	1.38	12 x 1-1/8	826
16	30	23.5	21.25	18.5	1.46	16 x 1-1/8	1069
18	33	25	22.75	21	1.57	16 x 1-1/4	1466
20	32.5	27.5	25	23	1.69	20 x 1-1/4	1829
24	38	32	29.5	27.25	1.89	20 x 1-3/8	2888

NO.	PART NAME	STANDARD
1	OUTLET BODY	ASTM A216 WCB
2	DISC	ASTM A217 CA15*
3	GASKET	SS304 + GRAPHITE
4	NUT	ASTM A194 2H
5	BOLT	ASTM A193 B7
6	SEAT	ASTM A105 + STL6
7	INLET BODY	ASTM A216 WCB
8	NUT	ASTM A194 2H
9	BOLT	ASTM A193 B7
10	END CAP	ASTM A216 WCB
11	PIN	ASTM A182 F6
12	GASKET	SS304

*WCB FOR 8" AND LARGER

Steamco Fig. TD150CSF8

CLASS 150 FLANGED TILTING CHECK VALVE