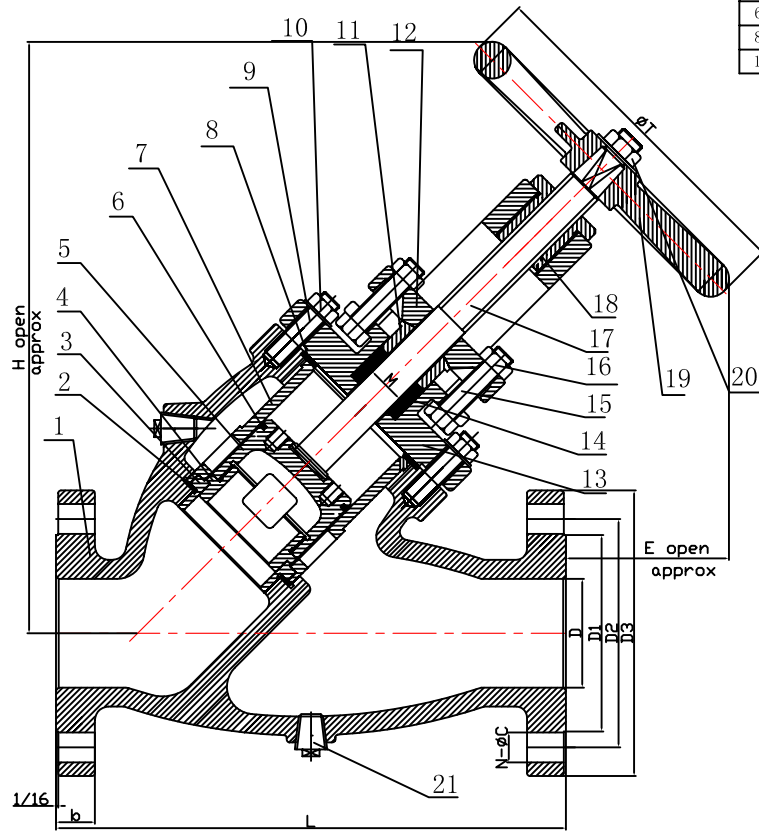


250# DI FLGD GLOBE NON RETURN

Size	D	D1	D2	D3	L	b	N-ØC	M	H(open)	E(open)	T
2.5"	2.5	4 15/16	5 7/8	7 1/2	13	1	8-Ø7/8	1 1/8	15.75	5	10
3"	3	5 11/16	6 5/8	8 1/4	14 3/4	1 1/8	8-Ø7/8	1 1/8	18.69	6.29	10
4"	4	6 5/16	7 7/8	10	17	1 1/4	8-Ø7/8	1 1/4	21.47	7.61	10 4/5
5"	5	8 5/16	9 1/4	11	19	1 3/8	8-Ø7/8	1 1/2	24.46	9.38	14
6"	6	9 11/16	10 5/8	12 1/2	21 1/2	1 7/16	12-Ø7/8	1 1/2	28.82	11.26	17 3/4
8"	8	11 15/16	13	15	26	1 5/8	12-Ø1	1 5/8	35.62	15.19	20
10"	10	14 1/16	15 1/4	17 1/2	30	1 7/8	16-Ø1 1/8	1 3/4	38.1	14	20



SIZES 2 1/2" TO 10"

**Bolted Bonnet Y Globe
For Installation in Either
Horizontal or Vertical Lines
with Upward Flow**

NO.	Part Name	Quantity	Material	Material Standard
1	Body	1	Ductile Iron	ASTM A 536
2	Body Seat Gasket	1	Rubber Graphite	
3	Body Seat Ring	1	Cast Bronze	ASTM B 62
4	Disc Seal	1	Cast Bronze	ASTM B 62
5	Disc	1	Ductile Iron	ASTM A 536
6	Piston Ring	1	Alloy Cast Iron	
7	Disc Guide	1	Ductile Iron	ASTM A 536
8	Body Gasket	1	Rubber Graphite	
9	Bolts		Steel	ASTM A 193 B7
10	Nuts		Steel	ASTM A 194 2H
11	Packing Gland	1	Cast Brass	ASTM B 62
12	Gland Follower	1	Ductile Iron	ASTM A 536
13	Bonnet	1	Ductile Iron	ASTM A 536
14	Packing	2	Graphite	NON ASBESTOS
15	Bolts	2	Steel	ASTM A 193 B7
16	Nuts	2	Steel	ASTM A 194 2H
17	Stem	1	Stainless Steel	ASTM 410
18	Stem Nut	1	Cast Brass	ASTM B62
19	Handwheel	1	Cast Iron	ASTM A 126 B
20	Nut	1	Steel	ASTM A 194 2H
21	Drain Plug	2	Stainless Steel	ASTM 304

STEAMCO

250GNR