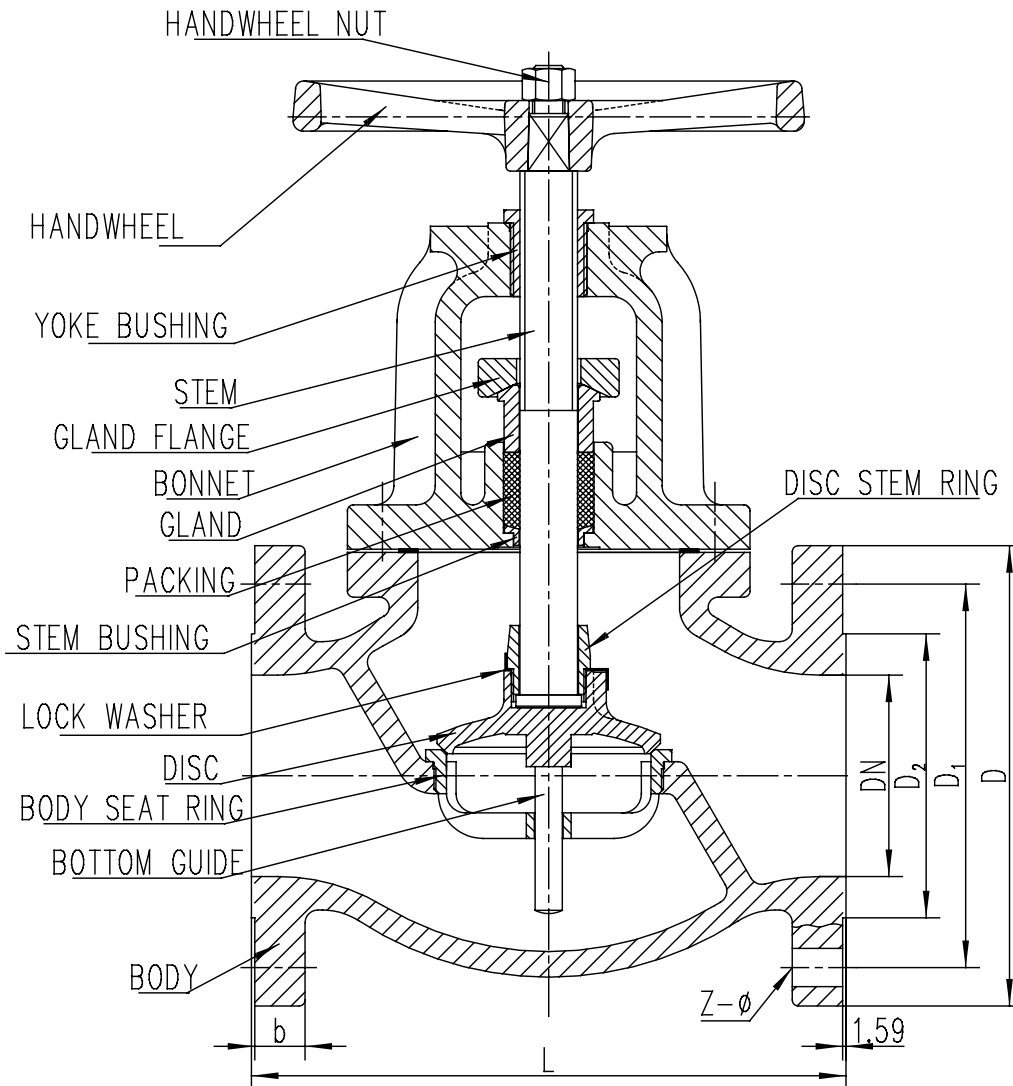


# 250# Globe Valve



STEAMCO FIG#256A

SIZE	L	D	D <sub>1</sub>	D <sub>2</sub>	b	Z- $\phi$ d
2"	10.50	6.50	5	4.19	0.88	8- $\phi$ 0.77
2-1/2"	11.50	7.50	5.88	4.94	0.94	8- $\phi$ 0.88
3"	12.50	8.25	6.62	5.69	1.06	8- $\phi$ 0.88
4"	14.00	10.00	7.88	6.94	1.19	8- $\phi$ 0.88
6"	17.50	12.50	10.62	9.69	1.38	12- $\phi$ 0.88
8"	21.00	15.00	13.00	11.94	1.56	12- $\phi$ 1.00

CLASS	TEST PRESSURE(PSI)	
	SHELL	SEALING
250Lb	875	500

PART NAME		MATERIAL
BODY & BONNET		CAST IRON
STEM		BRONZE
BONNET BOLT		STEEL
DISC	2-3"	BRONZE
	4-8"	CAST IRON
HANDWHEEL NUT		PHOSPHATE COATED STEEL
HANDWHEEL		MALLEABLE IRON
YOKE BUSHING		BRONZE
GLAND	2-6"	STEEL
FLANGE	8"	MALL IRON
GLAND		BRONZE
PACKING		NON-ASBESTOS RINGS
STEM BUSHING		BRONZE
LOCK WASHER		18-8 SST SHEEL
DISC STEM RING		BRONZE
BODY SEAT RING		BRONZE
BOTTOM GUIDE		STEEL