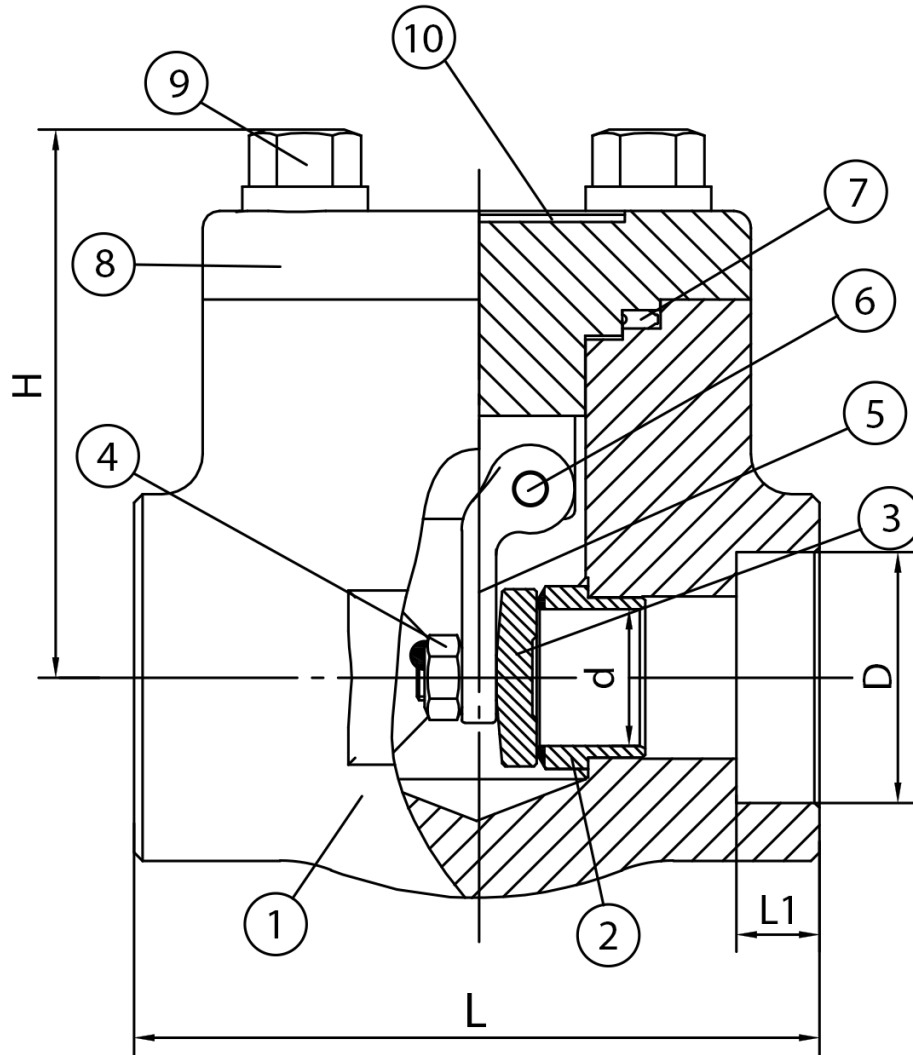


Steamco Valves

APPLICABLE STANDARDS
 BASIC DESIGN: API 602 & ASME B16.34
 TEST AND INSPECTION: API 598



NO.	PART NAME	STANDARD
1	BODY	A105N
2	SEAT RING	A276 410 + STL
3	DISC	A276 420
4	DISC NUT	A194 8M
5	ROCKER	A351 CF8M

NO.	PART NAME	STANDARD
6	PIN	A276 316
7	GASKET	304 + GRAPHITE
8	BONNET	A105N
9	BONNET BOLT	A193 B7
10	NAMEPLATE	ALUMINUM

SIZE	DIMENSIONS IN INCHES					Weight (lbs)
	L±0.06	d±0.02	d ^{+0.02} ₋₀	L1±0.06	H±0.2	
1/2"	3.11	Ø 0.51	Ø 0.86	0.39	2.28	3.0
3/4"	3.62	Ø 0.51	Ø 1.07	0.51	2.28	3.5
1"	4.37	Ø 0.71	Ø 1.33	0.51	2.95	6.0
1-1/4"	4.72	Ø 0.94	Ø 0.68	0.51	3.27	8.5
1-1/2"	4.72	Ø 1.14	Ø 1.92	0.51	3.70	10.0
2"	5.51	Ø 1.44	Ø 2.41	0.65	4.20	39.0

Steamco Fig. SC800FS8SW

CLASS 800 SW SWING CHECK