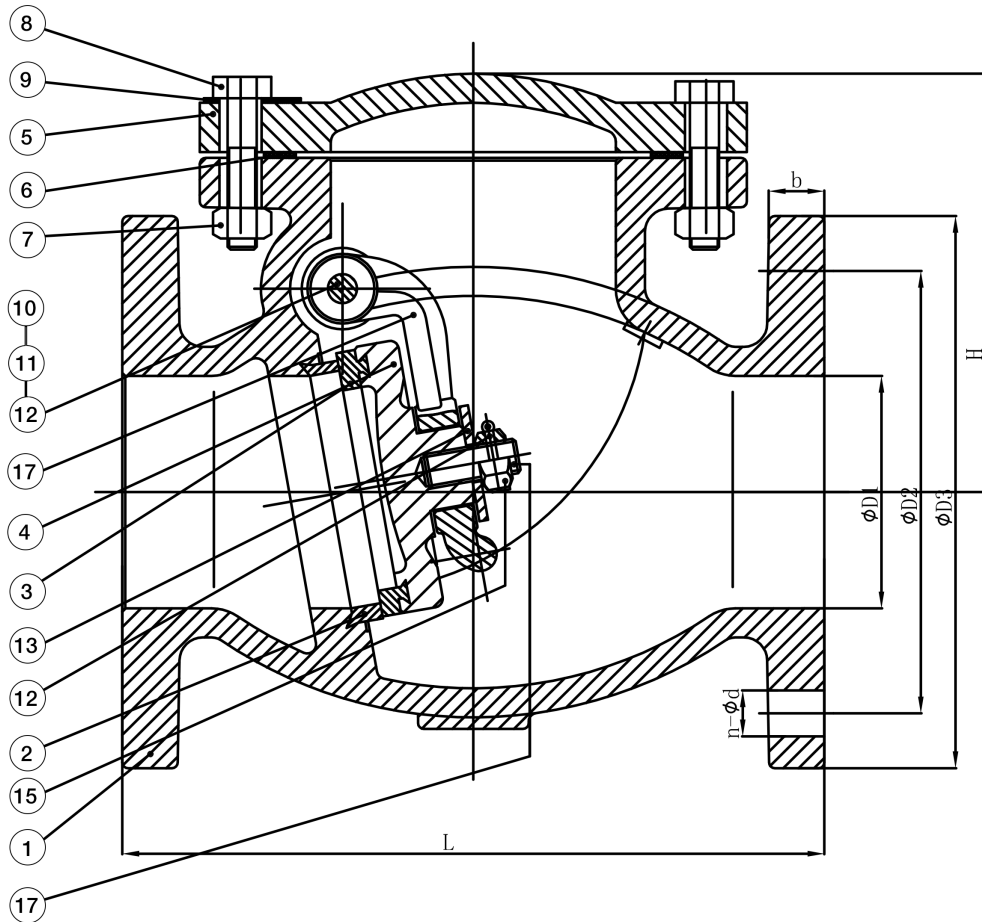


Steamco Valves



NO.	PART NAME	MATERIAL	STANDARD	NO.	PART NAME	MATERIAL	STANDARD
1	BODY	CAST IRON	ASTM A126B	10	HINGE PIN	BRASS	ASTM B16 C36000
2	SEAT RING	CAST BRONZE	ASTM B62	11	GASKET	PTFE	NON ASBESTOS
3	DISC RING	CAST BRONZE	ASTM B62	12	SIDE PLUG	BRASS	ASTM B16 C36000
4	DISC	CAST IRON	ASTM B126B	13	WASHER	STEEL	ASTM A307 B
5	BONNET	CAST IRON	ASTM A126B	14	SPLIT PIN	STAINLESS STEEL	ASTM 420 S42000
6	BODY GASKET	GRAPHITE	NON ASBESTOS	15	NUT	STEEL	ASTM A307 B
7	NUTS	STEEL	ASTM A307B	16	BOLT	STEEL	ASTM A307 B
8	BOLTS	STEEL	ASTM A307B	17	HINGE	DUCTILE IRON	ASTM A536
9	NAME PLATE	ALUMINUM	COMMERCIAL				

SIZE	L	D1	D2	D3	b	n-od	H	WEIGHT
2	8	2	4.75	6.00	5/8	4 x 3/4	4.5	25
2-1/2	8.5	2.5	5.50	7.00	11/16	4 x 3/4	5.4	38
3	9.5	3	6.00	7.50	3/4	4 x 3/4	5.7	47
4	11.5	4	7.50	9.00	15/16	8 x 3/4	6.6	80
5	13	5	8.50	10.00	15/16	8 x 7/8	7.8	121
6	14	6	9.50	11.00	1	8 x 7/8	8.6	156
8	19.5	8	11.75	13.50	1-1/6	8 x 7/8	10.3	266
10	24.5	10	14.25	16.00	1-3/16	12 x 1	11.2	431
12	27.5	12	17.00	19.00	1-1/4	12 x 1	12.6	638
14	31	14	18.75	21.00	1-3/8	12 x 1-1/8	17.5	946
16	36	16	21.25	23.50	1-7/16	16 x 1-1/8	19.4	1133

APPLICABLE STANDARDS

BASIC DESIGN: MSS SP-71, ASME B16.34

FLANGE DIMENSIONS: ASME B16.1

FACE TO FACE DIMENSIONS: ASME B16.10

Steamco Fig. 128A

CLASS 125 SWING CHECK VALVE