

# STEAMCO

Fig. 258A

## Class 250 Iron Body Swing Check

Bolted Cap Bronze or All Iron Trim

From 2 1/2" to 8"

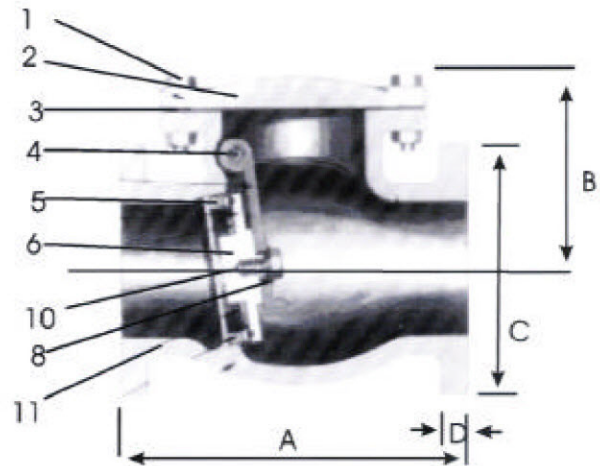
250 P S I      450 F

500 WOG      -20 to 150 F

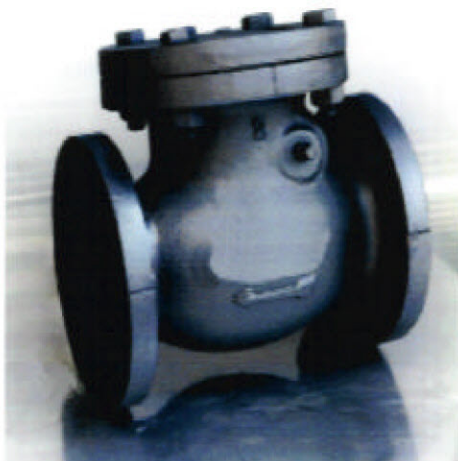
Applicable Standards: MSS-SP-71, ANSI B16.1, ANSI B16.10

### PARTS AND MATERIAL DESCRIPTION

No.	Part	Material	ASTM Spec.
1	Body Bolt	Steel	ASTM A307
2	Cap	Cast Iron	ASTM A126 CI B
3	Gaskets	Non-Asbestos	Commercial
4	Hinge Pin	Forging Brass	ASTM B16
5	Hinge	Cast Iron	ASTM A126 CI B
6	Disk	Cast Iron	ASTM A126 CI B
7	Disk Ring	Bronze	C 83600
	*Disk Ring	Cast Iron	ASTM A307
8	Disk Bolt	Steel	ASTM A307
9	Washer	Forging Brass	ASTM B16
10	Seat Ring	Bronze	C 83600
	*Seat Ring	Cast Iron	ASTM A126 CI B
11	Body	Cast Iron	ASTM A126 CI B



\* All Iron Trim, Fig: 258-28



Nominal Size	Dimensions				Aprox. Weight
	A	B	C	D	
2 1/2"	11 1/2"	5 7/8"	7 1/2"	1"	59
3"	12 1/2"	6 5/16"	8 1/4"	1 1/8"	102
4"	14"	7 9/16"	10"	1 1/4"	170
6"	17"	8 1/2"	12 1/2"	1 7/16"	295
8"	21"	11 1/2"	15"	2"	430

\*\*Valves can be supplied with outside weight and lever