



150 **SSVC** STAINLESS STEEL GLOBE VALVE

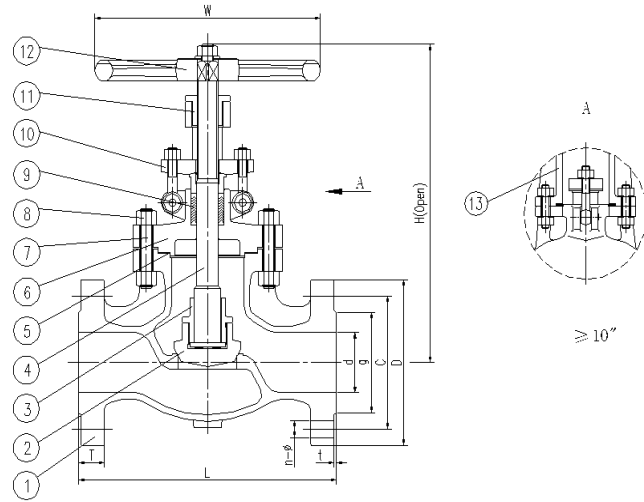
Fig# GL150SSF10

Applicable Standards:

- Globe Valves, ASME B16.34
- Face to Face, ASME B16.10
- End Flange, ASME B16.5
- Inspection and Test, API 598

Design:

- OS&Y, Outside Screw and Yoke
- Rising stem and Non-rising Handwheel
- Valve MFG in Accordance with NACE MR0175 Specifications



NO	PART NAME	MATERIAL
1	Body	A351-CF8M
2	Disc	A182-F316
3	Disc Cap	A351-CF8M
4	Stem	A276-316
5	Gasket	PTFE / 316 + PTFE
6	Bonnet	A351-CF8M
7	Bonnet Bolt	A193-B8M

NO	PART NAME	MATERIAL
8	Nut	A194-8M
9	Packing	PTFE
10	Gland Flange	A351-CF8
11	Stem Nut	A439-D2
12	Handwheel	A395-65-45-15
13	Yoke	A351-CF8

NPS	Typical Dimensions				Class 150 Flange Dimensions							WT
	in	d	L	H	W	D	C	g	T	t	n	
1/2	1/2	4.25	7.36	3.94	3.5	2.38	1.38	0.37	0.06	4	5/8	7.48
3/4	3/4	4.62	7.72	3.94	3.88	2.75	1.69	0.4	0.06	4	5/8	8.45
1	1	5	8.31	3.94	4.25	3.12	2	0.44	0.06	4	5/8	11
1.1/2	1.1/2	6.5	9.8	5.43	5	3.88	2.88	0.56	0.06	4	5/8	16.28
2	2	8	11.02	6.3	6	4.75	3.62	0.62	0.06	4	3/4	25.96
2.1/2	2.1/2	8.5	14.96	7.87	7	5.5	4.12	0.68	0.06	4	3/4	61.16
3	3	9.5	15.75	8.82	7.5	6	5	0.75	0.06	4	3/4	72.16
4	4	11.5	18.62	11.02	9	7.5	6.19	0.94	0.06	8	3/4	121.7
5	5	14	22.28	11.81	10	8.5	7.31	0.94	0.06	8	7/8	180.4
6	6	16	25.55	13.78	11	9.5	8.5	1	0.06	8	7/8	213.4
8	8	19.5	31.26	17.72	13.5	11.75	10.62	1.12	0.06	8	7/8	371.8
10	10	24.5	36.65	23.62	16	14.25	12.75	1.18	0.06	12	1	550
12	12	27.5	42	27.56	19	17	15	1.25	0.06	12	1	877.8
14	14	31	48.66	27.56	21	18.75	16.25	1.37	0.06	12	1.1/8	1294
16	16	36	54.2	27.56	23.5	21.25	18.5	1.44	0.06	16	1.1/8	2165
18	18	38.5	58	27.56	25	22.75	21	1.56	0.06	16	1.1/4	2561
20	20	38.5	64.88	27.56	27.5	25	23	1.68	0.06	20	1.1/4	1478
24	24	51	75.59	27.56	32	29.5	27.25	1.87	0.06	20	1.3/8	4092