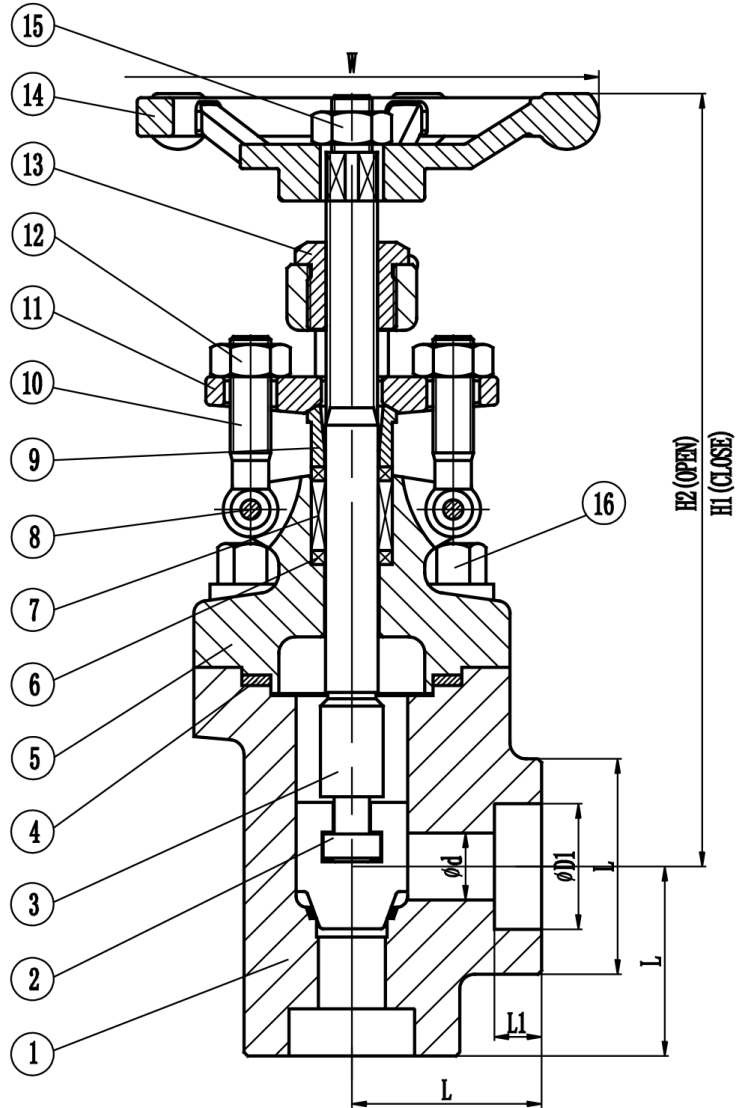
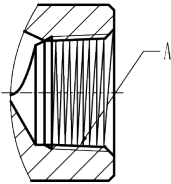


# Steamco Valves

## APPLICABLE STANDARDS

BASIC DESIGN: API 602 ASME B16.34  
 SOCKET WELDING: ASME B16.1  
 THREADED END: ASME B1.20.1 (NPT)  
 TEST AND INSPECTION: API 598  
 3705PSI @ 100F



| NO. | PART NAME     | MATERIAL           | NO. | PART NAME     | MATERIAL   |
|-----|---------------|--------------------|-----|---------------|------------|
| 1   | BODY          | A182 F-11 + STL    | 9   | GLAND         | A276 - 420 |
| 2   | DISC          | A182 F6a + STL     | 10  | EYEBOLT       | A193 B7    |
| 3   | STEM          | A182 F6a           | 11  | GLAND FLANGE  | F-11       |
| 4   | BONNET GASKET | 304 + SW GRAPHITE  | 12  | EYEBOLT NUT   | A194 2H    |
| 5   | BONNET        | A182 F-11          | 13  | STEM NUT      | A276 - 410 |
| 6   | PACKING       | GRAPHITE + SS WIRE | 14  | HANDWHEEL     | A197       |
| 7   | PACKING       | GRAPHITE + SS      | 15  | HANDWHEEL NUT | A194 2H    |
| 8   | PIN           | A276-41016         | 16  | BOLT          | A193 B7    |

| SIZE   | L   | H1   | H2   | d   | D   | L1  | A      | WEIGHT (LBS) |
|--------|-----|------|------|-----|-----|-----|--------|--------------|
| 1/2"   | 1.8 | 6.9  | 7.3  | 0.4 | 1.7 | 0.4 | 1/2"   | 6.8          |
| 3/4"   | 1.8 | 6.9  | 7.3  | 0.5 | 1.9 | 0.5 | 3/4"   | 7.2          |
| 1"     | 2.2 | 8.3  | 8.9  | 0.7 | 2.3 | 0.5 | 1"     | 11.8         |
| 1-1/4" | 2.6 | 8.3  | 9.1  | 0.9 | 2.5 | 0.5 | 1-1/4" | 22.2         |
| 1-1/2" | 2.9 | 9.7  | 10.6 | 1.1 | 3.1 | 0.5 | 1-1/2" | 22.2         |
| 2"     | 3.3 | 11.3 | 12.2 | 1.4 | 3.5 | 0.6 | 2"     | 34.4         |

**Steamco Fig. 1149-5**

**CLASS 1500 F-11 ANGLE VALVE**