



150 SSVC STAINLESS STEEL GLOBE VALVE

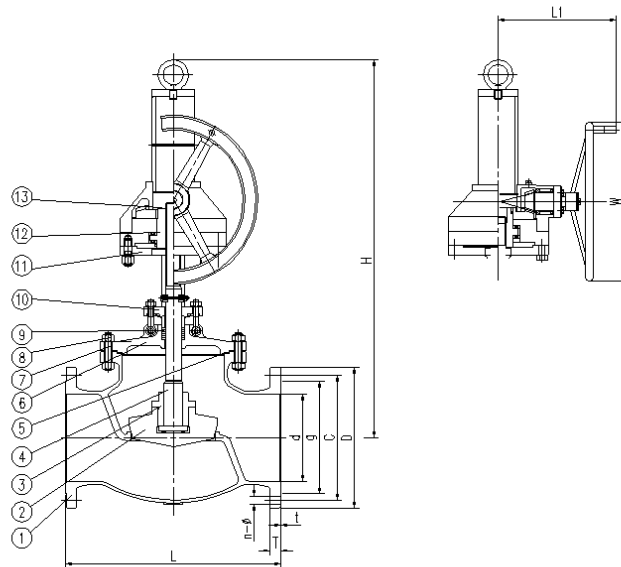
Fig# GL150SSF10-GO

Applicable Standards:

- Globe Valves, ASME B16.34
- Face to Face, ASME B16.10
- End Flange, ASME B16.5
- Inspection and Test, API 598

Design:

- OS&Y, Outside Screw and Yoke
- Rising stem and Conical Gear Actuator
- Valve MFG in Accordance with NACE MR0175 Specifications



NO	PART NAME	MATERIAL
1	Body	A351-CF8M
2	Disc	A182-F316
3	Disc Cap	A351-CF8M
4	Stem	A276-316
5	Gasket	PTFE
6	Bonnet	A351-CF8M
7	Bonnet Bolt	A193-B8M

NO	PART NAME	MATERIAL
8	Nut	A194-8M
9	Packing	PTFE
10	Gland Flange	A351-CF8
11	Yoke	A351-CF8
12	Stem Nut	ZCuAl10Fe3
13	Conical Gear Actuator	C.S

NPS	Typical Dimensions					Class 150 Flange Dimensions							WT Lbs
	d	L	L1	H	W	D	C	g	T	t	n	Φ	
14	14	31	16.96	37.4	24	21	18.75	16.25	1.37	0.06	12	1.1/8	1210
16	16	36	19.9	39.2	32	23.5	21.25	18.5	1.44	0.06	16	1.1/8	1593
18	18	38.5	19.9	44.9	32	25	22.75	21	1.56	0.06	16	1.1/4	3080
20	20	38.5	19.9	49.7	32	27.5	25	23	1.68	0.06	20	1.1/4	5720
24	24	51	19.9	60	32	32	29.5	27.25	1.87	0.06	20	1.3/8	8140