



300 SSVC STAINLESS STEEL GLOBE VALVE

Fig# GL300SSF10-GO

Applicable Standards:

Globe Valves, ASME B16.34

Face to Face, ASME B16.10

End Flange, ASME B16.5

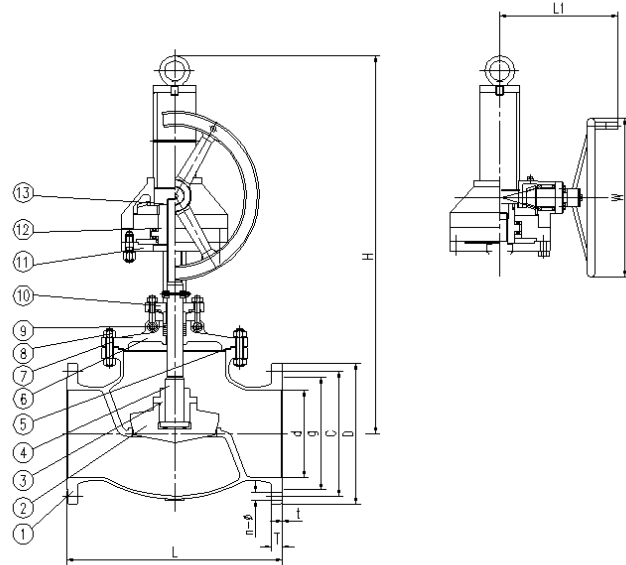
Inspection and Test, API 598

Design:

OS&Y, Outside Screw and Yoke

Rising stem and Conical Gear Actuator

Valve MFG in Accordance with NACE MR0175 Specifications



NO	PART NAME	MATERIAL
1	Body	A351-CF8M
2	Disc	A182-F316
3	Disc Cap	A351-CF8M
4	Stem	A276-316
5	Gasket	316+PTFE
6	Bonnet	A351-CF8M
7	Bonnet Bolt	A193-B8M

NO	PART NAME	MATERIAL
8	Nut	A194-8M
9	Packing	PTFE
10	Gland Flange	A351-CF8
11	Yoke	A351-CF8
12	Stem Nut	ZCuAl10Fe3
13	Conical Gear Actuator	C.S

NPS	Typical Dimensions					Class 300 Flange Dimensions							WT
	in	d	L	L1	H	W	D	C	g	T	t	n	Φ
10	10	24.5	16.96	38.1	24	17.5	15.25	12.75	1.87	0.06	16	1.1/8	1100
12	12	28	19.9	43.3	32	20.5	17.75	15	2	0.06	16	1.1/4	1593