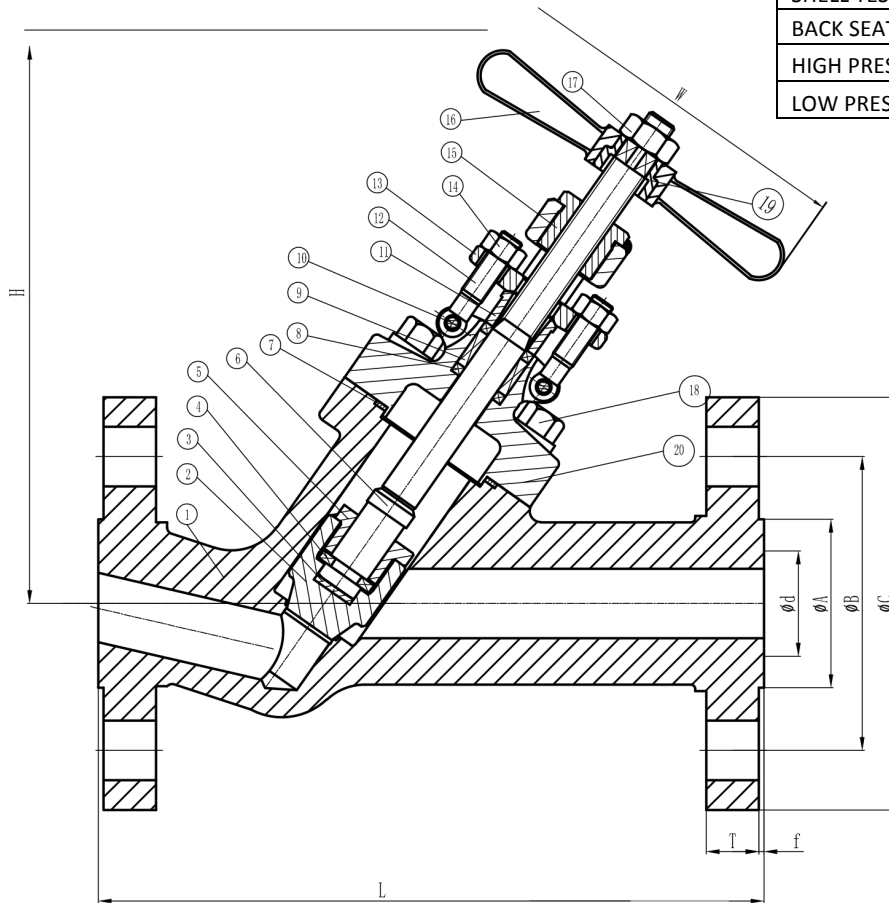


Steamco Valves

APPLICABLE STANDARDS

BASIC DESIGN: API 602
 FLANGE DIMENSION: ASME B16.5 (RF)
 FACE TO FACE: ASME B16.10
 TEST AND INSPECTION: API 598/602
 ASME B31.1

TEST ITEM	TEST PRESSURE (PSI)
SHELL TEST	1087.5
BACK SEAT TEST	797.5
HIGH PRESSURE TEST	797.5
LOW PRESSURE TEST AIR SEAL	87



SIZE	L	H	d	W	A	B	C	f	n-ø
1-1/2"	12	13.4	1.58	11	2.88	4.5	6.125	.062	4-0.87

NO.	PART NAME	MATERIAL	NO.	PART NAME	MATERIAL
1	BODY	ASTM A105 + STL	11	GLAND	ASTM A276-420
2	DISC	ASTM A182-F6A + STL	12	EYEBOLT	ASTM A193-B7
3	DISC GASKET	ASTM A276-420	13	GLAND FLANGE	ASTM A105
4	CIRCLIP	ASTM A276-410	14	EYEBOLT NUT	ASTM A194-2H
5	DISC GLAND	ASTM A276-410	15	STEM NUT	ASTM A276-410
6	STEM	ASTM A182-F6A	16	HANDWHEEL	ASTM A197
7	BONNET GASKET	304 + GRAPHITE	17	HANDWHEEL NUT	ASTM A194-2H
8	PACKING	GRAPHITE + SS WIRE	18	BOLT	ASTM A193-B7
9	PACKING	FLEXIBLE GRAPHITE	19	KNOCKER	ASTM A108-1045
10	PIN	ASTM A276-410	20	BONNET	ASTM A105

Steamco Fig. 1341

CLASS 300 FORGED STEEL GLOBE VALVE