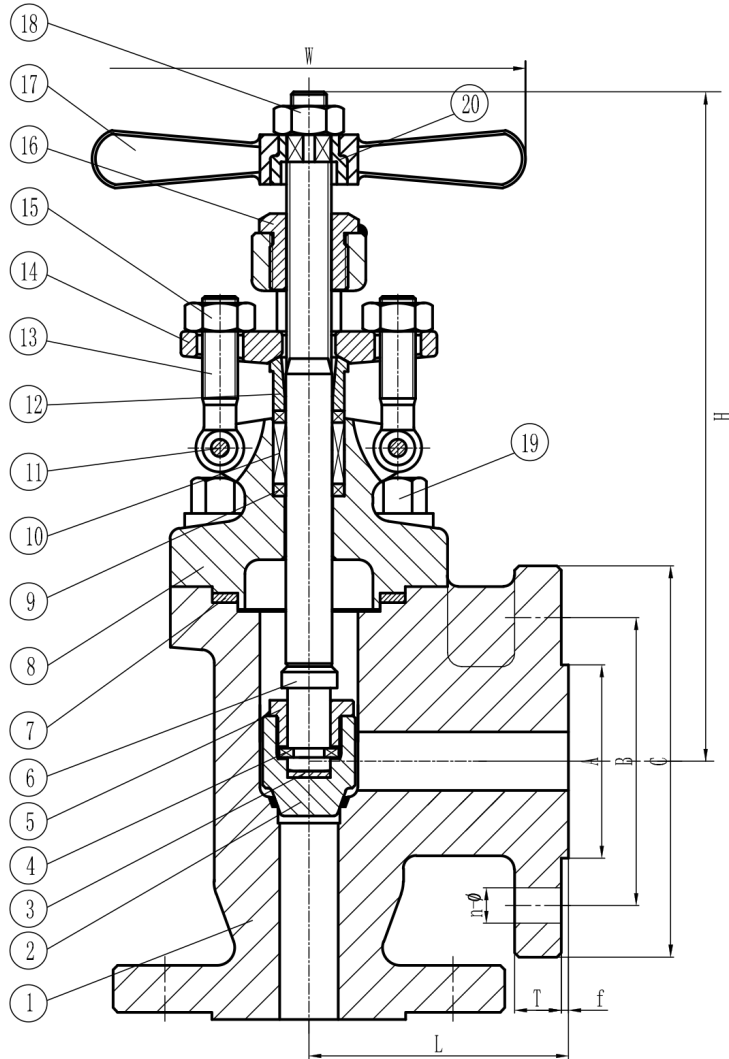


# Steamco Valves

## APPLICABLE STANDARDS

BASIC DESIGN: API 602  
 FLANGE DIMENSION: ASME B16.5 (RF)  
 FACE TO FACE: ASME B16.10  
 TEST AND INSPECTION: API 598/602  
 ASME B31.1



TEST ITEM	TEST PRESSURE (PSI)
SHELL TEST	2175
BACK SEAT TEST	1595
HIGH PRESSURE TEST	1595
LOW PRESSURE TEST AIR SEAL	87

SIZE	L	H	A	B	C	W	T	f	n-ø
1-1/2"	4.8	12.4	2.88	4.5	6.125	11	0.87	0.25	4-0.87

NO.	PART NAME	MATERIAL	NO.	PART NAME	MATERIAL
1	BODY	ASTM A105 + STL	11	PIN	ASTM A276-410
2	DISC	ASTM A182-F6A + STL	12	GLAND	ASTM A105
3	DISC GASKET	ASTM A276-420	13	EYEBOLT	ASTM A193-B7
4	CIRCLIP	ASTM A276-410	14	GLAND FLANGE	ASTM A105
5	DISC GLAND	ASTM A276-410	15	EYEBOLT NUT	ASTM A194-2H
6	STEM	ASTM A182-F6A	16	STEM NUT	ASTM A276-410
7	BONNET GASKET	304 + GRAPHITE	17	HANDWHEEL	ASTM A197
8	BONNET	ASTM A105	18	HANDWHEEL NUT	ASTM A194-2H
9	PACKING	GRAPHITE + SS WIRE	19	BOLT	ASTM A193-B7
10	PACKING	FLEXIBLE GRAPHITE	20	KNOCKER	ASTM A108-1045

**Steamco Fig. 1543**

**CLASS 600 FORGED STEEL ANGLE VALVE**