



## 600 **SSVC** STAINLESS STEEL GATE VALVE

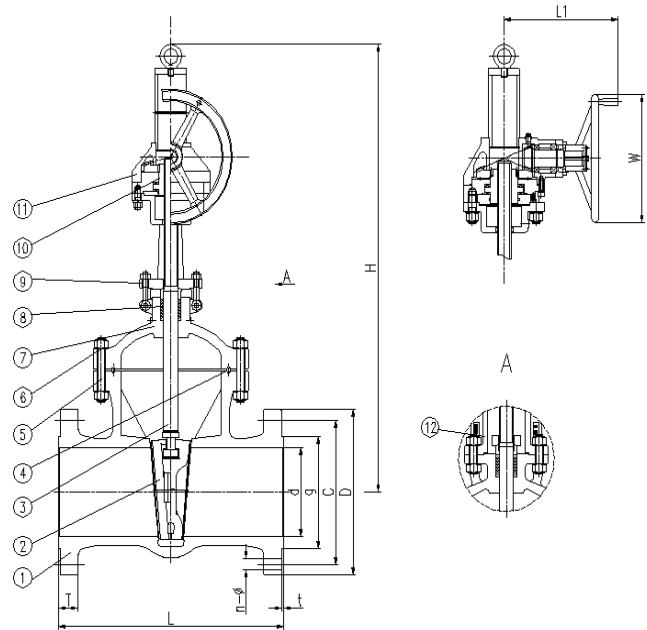
**Fig# GT 600SSF10-GO**

**Applicable Standards:**

- Gate valves, API 603
- Gate valves, ASME B16.34
- Face to Face, ASME B16.10 End
- Flange, ASME B16.5
- Inspection and Test, API 598

**Design:**

- OS&Y, Outside Screw and Yoke
- Flexible Wedge
- Forged T-head Stem
- Rising stem and Conical Gear Actuator
- Valve MFG in Accordance with NACE MR0175 Specifications



NO	PART NAME	MATERIAL
1	Body	A351-CF8M
2	Disc	A351-CF8M
3	Stem	A276-316
4	Ring Joint Gasket	A182-F316
5	Bonnet	A351-CF8M
6	Bonnet Bolt	A193-B8M

NO	PART NAME	MATERIAL
7	Nut	A194-8M
8	Packing	PTFE
9	Gland Flange	A351-CF8
10	Stem Nut	ZCuAl10Fe3
11	Conical Gear Actuator	C.S
12	Yoke	A351-CF8

NPS	Typical Dimensions					Class 600 Flange Dimensions							WT
	d	L	L1	H	W	D	C	g	T	t	n	Φ	
in													Lbs
14	14	35	16.96	62	24	23.75	20.75	16.25	2.75	0.25	20	1.1/2	2739
16	16	39	16.96	70.7	24	27	23.75	18.5	3	0.25	20	1.5/8	3366
18	18	43	19.92	76	32	29.25	25.75	21	3.25	0.25	20	1.3/4	4466
20	20	47	19.92	86.9	32	32	28.5	23	3.5	0.25	24	1.3/4	6017
24	24	55	19.92	102	32	37	33	27.25	4	0.25	24	2	7964