

ITEM	NAME	MATERIAL
1	BODY	ASTM A216-WCB
2	SEAT	ASTM A105N+STL
3	DISC	ASTM A105N+13%Cr
4	DISC WASHER	ASTM A276-410
5	DISC BUSHING	ASTM A276-410
6	STEM	ASTM A182-F6a
7	BOLT	ASTM A193-B7
8	NUT	ASTM A194-2H
9	GASKET	304+GRAPHITE
10	BACKSEAT	ASTM A276-420+STL
11	PACKING SPACER	ASTM A276-410
12	PACKING	INCONEL600+GRAPHITE
13	GLAND	ASTM A276-410
14	STEM NUT	ASTM A439 D-2
15	SCREW	AISI 1025
16	WASHER	ASTM A283 GRC
17	NUT	ASTM A193-B7
18	HANDWHEEL	ASTM A536 60-40-18
19	EYE BOLT	ASTM A193-B7
20	NUT	ASTM A194-2H
21	GLAND FLANGE	ASTM A216-WCB
22	PIN	AISI 1035
23	BONNET	ASTM A216-WCB
24	RIVET	ASTM A240-304
25	NAMEPLATE	ASTM A240-304

Body guide
3 Ribs uniformly distributed in circumference

NOTE:
1. API 622 LOW EMISSION PACKING

ITEM	FIG NO.	SIZE	UNIT	d	A	B	C	D	n	E	F	H	W	Sa	Weight((lbs/kgs)
01	ANG150CSF8	2"	mm	51	102	16.3	150	120.7	4	19	92.1	328	200	8.6	57/26
		2"	in	2.0	4.0	0.64	6.0	4.75	4	3/4	3.62	12.91	7.87	0.34	
02	ANG150CSF8	2-1/2"	mm	64	108	17.9	180	139.7	4	19	104.8	340	250	9.7	77/35
		2-1/2"	in	2.5	4.25	0.7	7.0	5.5	4	3/4	4.12	13.39	9.84	0.38	
03	ANG150CSF8	3"	mm	76	121	19.5	190	152.4	4	19	127	351	250	10.4	106/48
		3"	in	3.0	4.75	0.77	7.5	6.0	4	3/4	5.0	13.82	9.84	0.41	
04	ANG150CSF8	4"	mm	102	146	24.3	230	190.5	8	19	157.2	442	300	11.2	132/60
		4"	in	4.0	5.75	0.96	9.0	7.5	8	3/4	6.19	17.4	11.81	0.44	

1 REVISE AND RESUBMIT
Work may not proceed
 2 TO BE RESUBMITTED
Work may proceed provided comments are incorporated
 3 NO COMMENT
Work may proceed

Comment given on this document does not relieve vendor of his responsibility for the correct engineering design and fabrication. This equipment for product shall be made as per the codes, regulation and specification.

Reviewed by: _____ Signature: _____ Date: _____



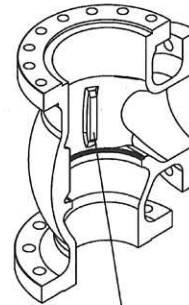
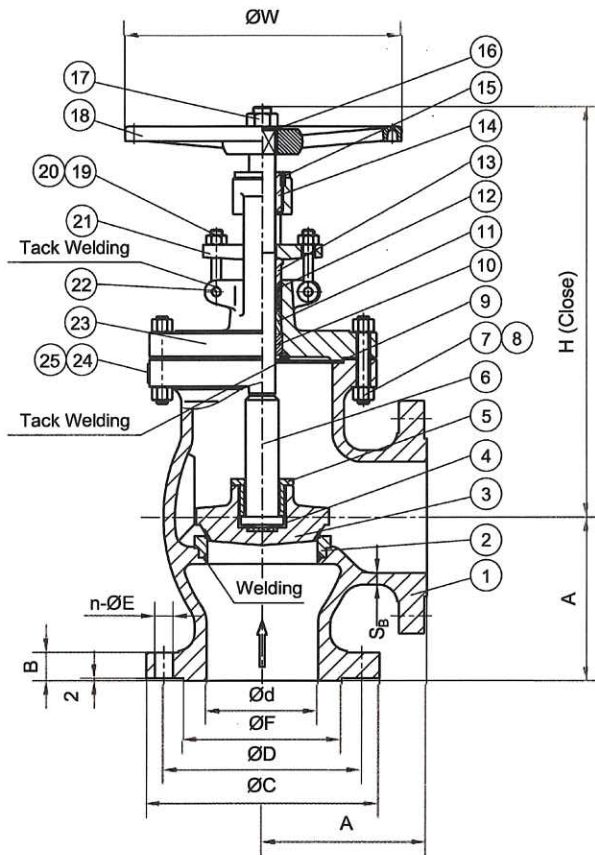
TITLE: API 623 ANGLE GLOBE VALVE
CLASS 150-API TRIM 8- RF

MAR KING SYSTEM	MSS-SP-25	INSPECTION & TEST: API 608	REV	DATE	DESCRIPTION	ORIGINATED BY	CHECKED BY	APPROVED BY	
DIM OF FLANGE	ANSI B16.5	SHELL	HYDRO	450PSI	01	20.03.03	RND	TXD	SAM
FACE TO FACE	ANSI B16.10	SEAT	AIR	N/A					
WALL THICKNESS	API 623	SEAT	H YDRO	315PSI					
DESIGNED	API 623, ANSI B16.34								

Drawing No.: _____

User Fig: **ANG150CSF8**

REF PO: _____



Body guide
3 Ribs uniformly distributed in circumference

ITEM	NAME	MATERIAL
1	BODY	ASTM A216-WCB
2	SEAT	ASTM A105N+STL
3	DISC	ASTM A105N+13%Cr
4	DISC WASHER	ASTM A276-410
5	DISC BUSHING	ASTM A276-410
6	STEM	ASTM A182-F6a
7	BOLT	ASTM A193-B7
8	NUT	ASTM A194-2H
9	GASKET	304+GRAPHITE
10	BACKSEAT	ASTM A276-420+STL
11	PACKING SPACER	ASTM A276-410
12	PACKING	INCONEL600+GRAPHITE
13	GLAND	ASTM A276-410
14	STEM NUT	ASTM A439 D-2
15	SCREW	AISI 1025
16	WASHER	ASTM A283 GRC
17	NUT	ASTM A193-B7
18	HANDWHEEL	ASTM A536 60-40-18
19	EYE BOLT	ASTM A193-B7
20	NUT	ASTM A194-2H
21	GLAND FLANGE	ASTM A216-WCB
22	PIN	AISI 1035
23	BONNET	ASTM A216-WCB
24	RIVET	ASTM A240-304
25	NAMEPLATE	ASTM A240-304

NOTE:
1. API 622 LOW EMISSION PACKING

ITEM	FIG NO.	SIZE	UNIT	d	A	B	C	D	n	E	F	H	W	S _b	Weight(lbs/kgs)
05	ANG150CSF8	6"	mm	152	203	25.9	280	241.3	8	22	215.9	468	350	11.9	236/107
		6"	in	6.0	8.0	1.02	11.0	9.5	8	7/8	8.5	18.43	13.78	0.47	
06	ANG150CSF8	8"	mm	203	248	29	345	298.5	8	22	269.9	535	450	12.7	357/162
		8"	in	8.0	9.75	1.14	13.5	11.75	8	7/8	10.62	21.06	17.72	0.5	

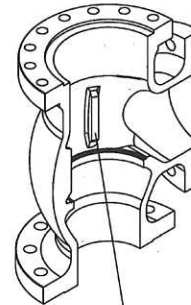
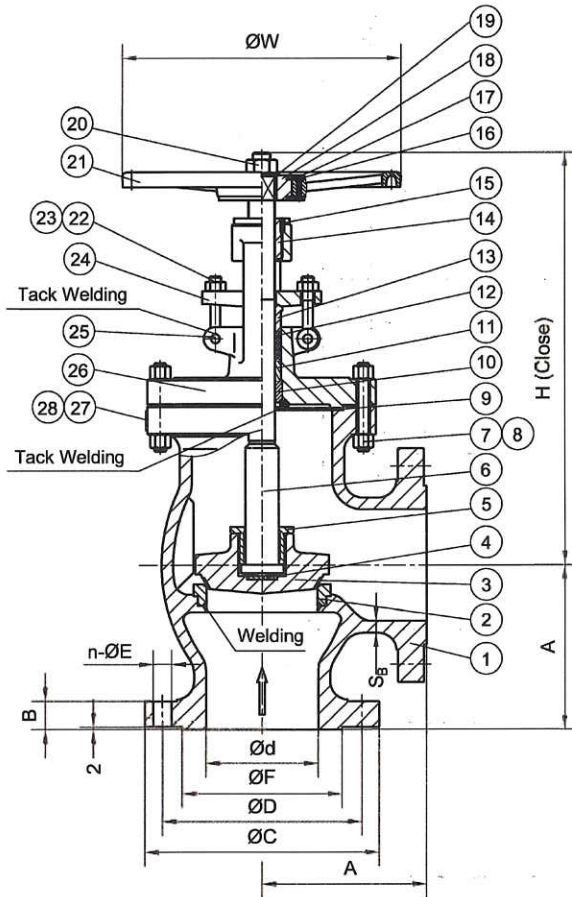
1 REVISE AND RESUBMIT
 Work may not proceed
 2 TO BE RESUBMITTED
 Work may proceed provided comments are incorporated
 3 NO COMMENT
 Work may proceed
 Comment given on this document does not relieve vendor of his responsibility for the correct engineering design and fabrication. This equipment for product shall be made as per the codes, regulation and specification.



TITLE: API 623 ANGLE GLOBE VALVE
CLASS 150- API TRIM 8- RF

MARKING SYSTEM	MSS-SP-25	INSPECTION & TEST: API 598	REVISION	DATE	DESCRIPTION	ORIGINATED BY	CHECKED BY	APPROVED BY
DIM OF FLANGE	ANSI B16.5	SHELL	HYDRQ	450PSI	REV			
FACE TO FACE	ANSI B16.10	SEAT	AIR	N/A	01	25.03.03		
WALL THICKNESS	API 623	SEAT	HYDRQ	315PSI				
DESIGNED	API 623, ANSI B16.34							

Drawing No.:
User Pk: **ANG150CSF8**
REF:PO



Body guide
3 Ribs uniformly distributed in circumference

ITEM	NAME	MATERIAL
1	BODY	ASTM A216-WCB
2	SEAT	ASTM A105N+STL
3	DISC	ASTM A105N+13%Cr
4	DISC WASHER	ASTM A276-410
5	DISC BUSHING	ASTM A276-410
6	STEM	ASTM A182-F6a
7	BONNET BOLT	ASTM A193-B7
8	BONNET NUT	ASTM A194-2H
9	GASKET	304+GRAPHITE
10	BACKSEAT	ASTM A276-420+STL
11	PACKING SPACER	ASTM A276-410
12	PACKING	INCONEL600+GRAPHITE
13	GLAND	ASTM A276-410
14	STEM NUT	ASTM A439 D-2
15	SCREW	AISI 1025
16	COVER PLATE	AISI 1035
17	COUNTERSUNK BOLT	AISI 1035
18	HAMMER BLOCK	AISI 1045
19	WASHER	ASTM A283 GRC
20	NUT	ASTM A193-B7
21	HANDWHEEL	ASTM A536 60-40-18
22	EYE BOLT	ASTM A193-B7
23	NUT	ASTM A194-2H
24	GLAND FLANGE	ASTM A216-WCB
25	PIN	AISI 1035
26	BONNET	ASTM A216-WCB
27	RIVET	ASTM A240-304
28	NAMEPLATE	ASTM A240-304

NOTE:
1. API 622 LOW EMISSION PACKING

ITEM	FIG NO.	SIZE	UNIT	d	A	B	C	D	n	E	F	H	W	Ss	Weight(lbs/kgs)
07	152F-2N 623	10"	mm	254	311	30.6	405	362	12	25	323.8	630	500	14.2	622/282
		10"	in	10.0	12.25	1.2	16.0	14.25	12	1	12.75	24.8	19.69	0.56	
08	152F-2N 623	12"	mm	305	349	32.2	485	431.8	12	25	381	822	560	16	1091/495
		12"	in	12.0	13.75	1.27	19.0	17.00	12	1	15.00	32.36	22.05	0.63	

1 REVISE AND RESUBMIT
Work may not proceed
 2 TO BE RESUBMITTED
Work may proceed provided comments are incorporated
 3 NO COMMENT
Work may proceed

Comment given on this document does not relieve vendor of his responsibility for the correct engineering design and fabrication. This equipment for product shall be made as per the codes, regulation and specification.

Reviewed by: _____ Signature: _____ Date: _____



TITLE: API 623 ANGLE GLOBE VALVE CLASS 150- API TRIM 8- RF

MARKING SYSTEM	MSS-SP-25	INSPECTION & TEST: API 598	REV	DATE	DESCRIPTION	ORIGINATED BY	CHECKED BY	APPROVED BY	
DIM. OF FLANGE	ANSI B16.5	SHELL	HYDRO	450PSI	01	28.03.03	HRD	TJO	SAM
FACE TO FACE	ANSI B16.10	SEAT	AIR	N/A					
WALL THICKNESS	API 623	SEAT	HYDRO	315PSI					
DESIGNED	API 623, ANSI B16.34								

Drawing No: _____

User Fig: **ANG150CSF8**

REF: PD