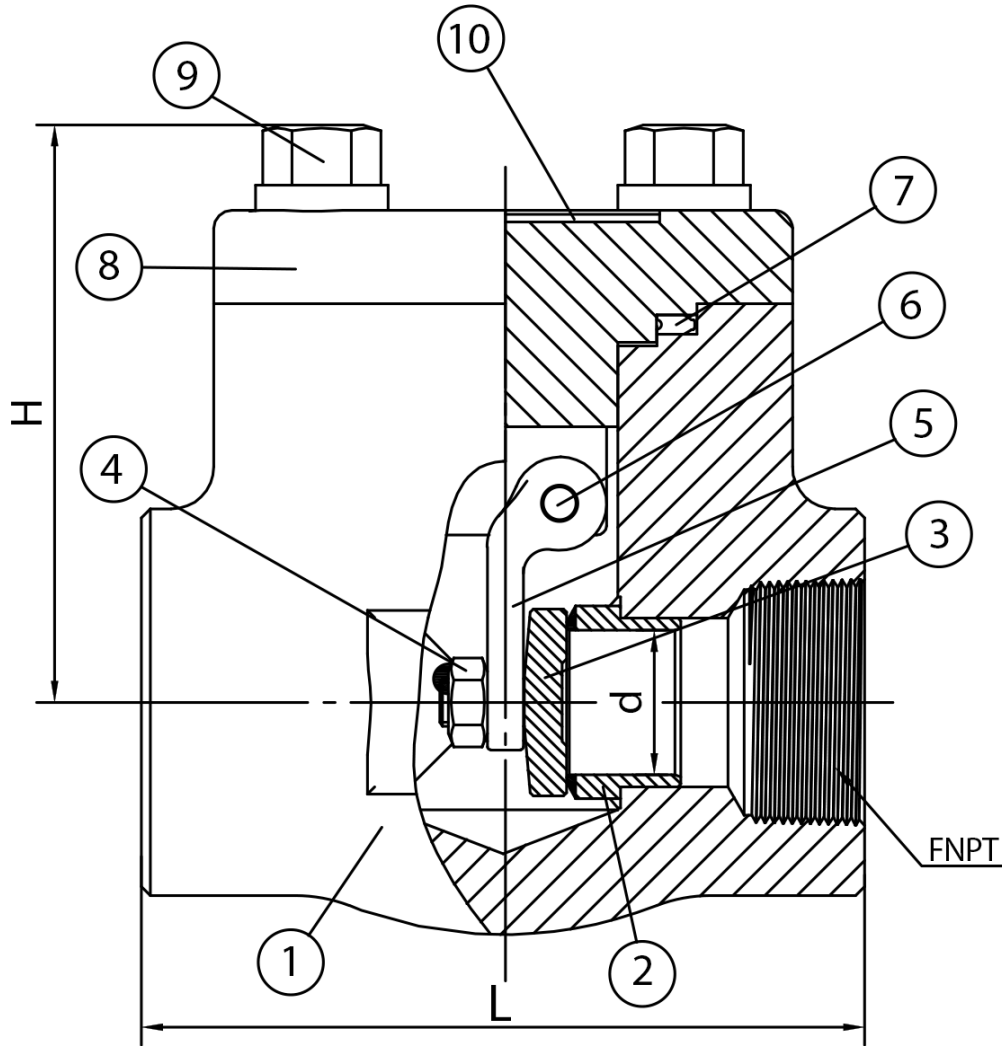


# Steamco Valves

**APPLICABLE STANDARDS**  
 BASIC DESIGN: API 602 & ASME B16.34  
 TEST AND INSPECTION: API 598



NO.	PART NAME	STANDARD
1	BODY	A182 F316
2	SEAT RING	A276 316 + STL
3	DISC	A276 316
4	DISC NUT	A194 8M
5	ROCKER	A351 CF8M

NO.	PART NAME	STANDARD
6	PIN	A276 316
7	GASKET	316 + GRAPHITE
8	BONNET	A182 F316
9	BONNET BOLT	A193 B8M
10	NAMEPLATE	ALUMINUM

SIZE	DIMENSIONS IN INCHES			
	L±1.6	d±0.5	FNPT	H±5
1/2"	3.11	Ø 0.51	1/2"	2.28
3/4"	3.62	Ø 0.51	3/4"	2.28
1"	4.37	Ø 0.71	1"	2.95
1-1/4"	4.72	Ø 0.94	1-1/4"	3.27
1-1/2"	4.72	Ø 1.14	1-1/2"	3.70
2"	5.51	Ø 1.44	2"	4.20

**Steamco Fig. SC800SST12**

**CLASS 800 THD SWING CHECK F316**