



300 SSVC STAINLESS STEEL CHECK VALVE

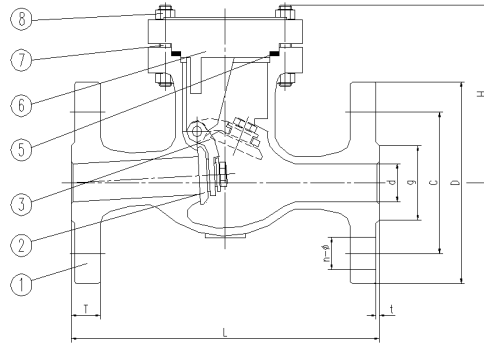
Fig# SC300SSF10

Applicable Standards:

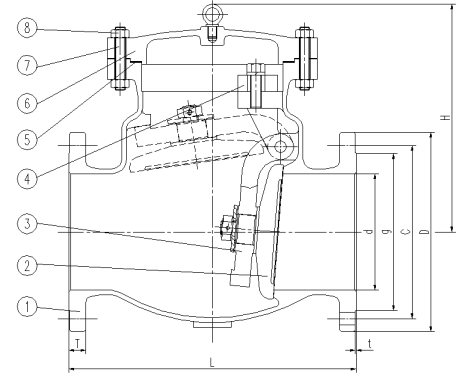
- Check valves, ASME B16.34
- Face to Face, ASME B16.10
- End Flange, ASME B16.5
- Inspection and Test, API 598

Design:

- Valve MFG in Accordance with NACE
- MR0175 Specifications



1/2"~2"



2.1/2"~24"

NO	PART NAME	MATERIAL
1	Body	A351-CF8M
2	Disc	A351-CF8M
3	Hinge	A351-CF8M
4	Yoke	A351-CF8M

NO	PART NAME	MATERIAL
5	Gasket	PTFE/316+PTFE
6	Bonnet	A351-CF8M
7	Bonnet Bolt	A193-B8M
8	Nut	A194-8M

NPS	Typical Dimensions			Class 300Lb Flange Dimensions							WT Lbs
	d	L	H	D	C	g	T	t	n	Φ	
1/2	1/2	6	3.31	3.75	2.62	1.38	0.56	0.06	4	5/8	6.6
3/4	3/4	7	3.35	4.62	3.25	1.69	0.62	0.06	4	3/4	9.9
1	1	8.5	3.46	4.88	3.5	2	0.68	0.06	4	3/4	13.2
1.1/2	1.1/2	9.5	3.58	6.12	4.5	2.88	0.81	0.06	4	7/8	22
2	2	10.5	3.98	6.5	5	3.62	0.87	0.06	8	3/4	28.4
2.1/2	2.1/2	11.5	6.18	7.5	5.88	4.12	1	0.06	8	7/8	60.5
3	3	12.5	6.77	8.25	6.62	5	1.12	0.06	8	7/8	75.5
4	4	14	8.86	10	7.88	6.19	1.25	0.06	8	7/8	123.2
5	5	15.75	11.97	11	9.25	7.31	1.37	0.06	8	7/8	184.8
6	6	17.5	11.69	12.5	10.62	8.5	1.44	0.06	12	7/8	226.6
8	8	21	14.21	15	13	10.62	1.62	0.06	12	1	354.2
10	10	24.5	16.85	17.5	15.25	12.75	1.87	0.06	16	1.1/8	840.4
12	12	28	19.69	20.5	17.75	15	2	0.06	16	1.1/4	948.2
14	14	33	21.18	23	20.25	16.25	2.12	0.06	20	1.1/4	1331
16	16	34	22.68	25.5	22.5	18.5	2.25	0.06	20	1.3/8	1740
18	18	38.5	25.83	28	24.75	21	2.37	0.06	24	1.3/8	2312
20	20	40	27.05	30.5	27	23	2.5	0.06	24	1.3/8	2864
24	24	53	30.71	36	32	27.25	2.75	0.06	24	1.5/8	4604