



# 600 **SSVC** STAINLESS STEEL GLOBE VALVE

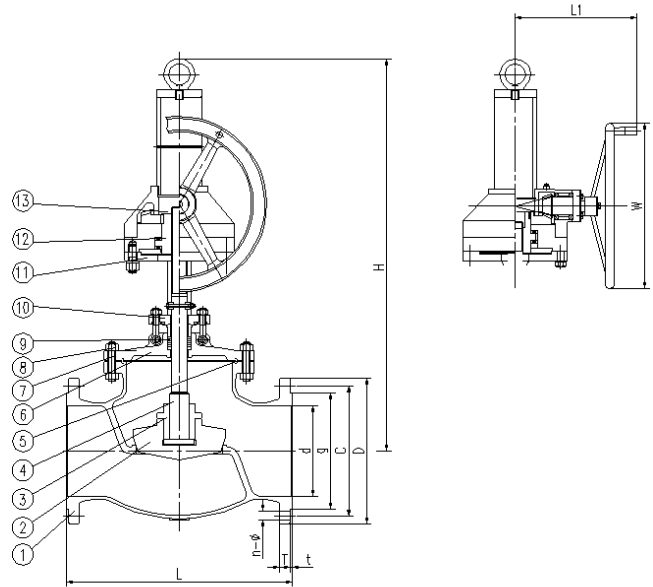
**Fig# GL600SSF10-GO**

**Applicable Standards:**

- Globe Valves, ASME B16.34
- Face to Face, ASME B16.10
- End Flange, ASME B16.5
- Inspection and Test, API 598

**Design:**

- OS&Y, Outside Screw and Yoke
- Rising stem and Conical Gear Actuator
- Valve MFG in Accordance with NACE MR0175 Specifications



NO	PART NAME	MATERIAL
1	Body	A351-CF8M
2	Disc	A182-F316
3	Disc Cap	A351-CF8M
4	Stem	A276-316
5	Gasket	A182-F316
6	Bonnet	A351-CF8M
7	Bonnet Bolt	A193-B8M

NO	PART NAME	MATERIAL
8	Nut	A194-8M
9	Packing	PTFE
10	Gland Flange	A351-CF8
11	Yoke	A351-CF8
12	Stem Nut	ZCuAl10Fe3
13	Conical Gear Actuator	C.S

NPS	Typical Dimensions					Class 600 Flange Dimensions							WT	
	in	d	L	L1	H	W	D	C	g	T	t	n	Φ	Lbs
6	6	6	22	16.96	31.1	24	14	11.5	8.5	1.88	0.25	12	1.1/8	957
8	8	8	26	19.9	39.9	32	16.5	13.75	10.62	2.19	0.25	12	1.1/4	1584
10	10	10	31	19.9	46.5	32	20	17	12.75	2.5	0.25	16	1.3/8	2354
12	12	12	33	19.9	55	32	22	19.25	15	2.62	0.25	20	1.3/8	4225