



# 300 SSVC STAINLESS STEEL GATE VALVE

Fig# GT300SSF10

## Applicable Standards:

Gate Valves, API 603

Gate Valves, ASME B16.34

Face to Face, ASME B16.10

End Flange, ASME B16.5

Inspection and Test, API 598

## Design:

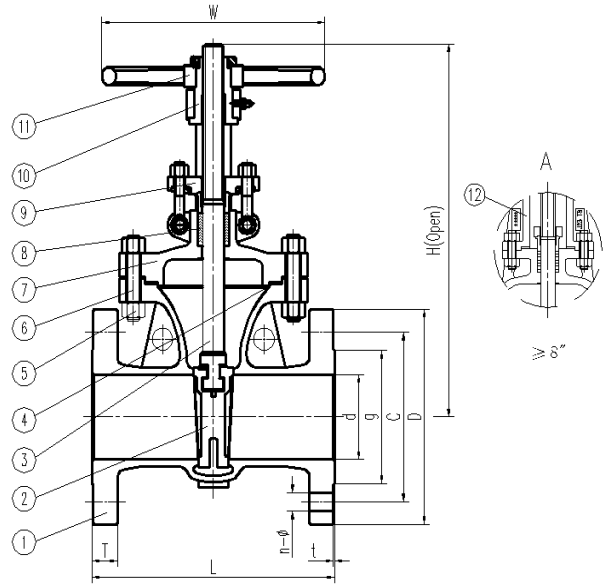
OS&Y, Outside Screw and Yoke

Flexible Wedge

Forged T-head Stem

Rising stem and Non-rising Handwheel

Valve MFG in Accordance with NACE MR0175 Specifications



| NO | PART NAME   | MATERIAL        |
|----|-------------|-----------------|
| 1  | Body        | A351-CF8M       |
| 2  | Disc        | A351-CF8M       |
| 3  | Stem        | A276-316        |
| 4  | Gasket      | PTFE / 316+PTFE |
| 5  | Nut         | A194-8M         |
| 6  | Bonnet Bolt | A193-B8M        |

| NO | PART NAME    | MATERIAL      |
|----|--------------|---------------|
| 7  | Bonnet       | A351-CF8M     |
| 8  | Packing      | PTFE          |
| 9  | Gland Flange | A351-CF8      |
| 10 | Stem Nut     | A439-D2       |
| 11 | Handwheel    | A395-65-45-15 |
| 12 | Yoke         | A351-CF8      |

| NPS   | Typical Dimensions |       |        |       | Class 300 Flange Dimensions |       |       |      |      |    |       | WT    |
|-------|--------------------|-------|--------|-------|-----------------------------|-------|-------|------|------|----|-------|-------|
|       | in                 | d     | L      | H     | W                           | D     | C     | g    | T    | t  | n     |       |
| 1/2   | 1/2                | 5.5   | 8.31   | 3.94  | 3.75                        | 2.62  | 1.38  | 0.56 | 0.06 | 4  | 5/8   | 9.46  |
| 3/4   | 3/4                | 6     | 8.31   | 3.94  | 4.62                        | 3.25  | 1.69  | 0.62 | 0.06 | 4  | 3/4   | 11    |
| 1     | 1                  | 6.5   | 10.16  | 5.43  | 4.88                        | 3.5   | 2     | 0.68 | 0.06 | 4  | 3/4   | 17.38 |
| 1.1/2 | 1.1/2              | 7.5   | 11.93  | 7.87  | 6.12                        | 4.5   | 2.88  | 0.81 | 0.06 | 4  | 7/8   | 28.6  |
| 2     | 2                  | 8.5   | 13.31  | 7.87  | 6.5                         | 5     | 3.62  | 0.87 | 0.06 | 8  | 3/4   | 36.52 |
| 2.1/2 | 2.1/2              | 9.5   | 16.1   | 8.82  | 7.5                         | 5.88  | 4.12  | 1    | 0.06 | 8  | 7/8   | 60.5  |
| 3     | 3                  | 11.12 | 18.7   | 8.82  | 8.25                        | 6.62  | 5     | 1.12 | 0.06 | 8  | 7/8   | 87.56 |
| 4     | 4                  | 12    | 21.73  | 11.81 | 10                          | 7.88  | 6.19  | 1.25 | 0.06 | 8  | 7/8   | 132   |
| 5     | 5                  | 15    | 26.38  | 11.81 | 11                          | 9.25  | 7.31  | 1.37 | 0.06 | 8  | 7/8   | 224.4 |
| 6     | 6                  | 15.88 | 30.16  | 13.78 | 12.5                        | 10.62 | 8.5   | 1.44 | 0.06 | 12 | 7/8   | 237.6 |
| 8     | 8                  | 16.5  | 38.9   | 15.75 | 15                          | 13    | 10.62 | 1.62 | 0.06 | 12 | 1     | 424.6 |
| 10    | 10                 | 18    | 44.33  | 17.72 | 17.5                        | 15.25 | 12.75 | 1.87 | 0.06 | 16 | 1.1/8 | 644.6 |
| 12    | 12                 | 19.75 | 56.85  | 19.69 | 20.5                        | 17.75 | 15    | 2    | 0.06 | 16 | 1.1/4 | 935   |
| 14    | 14                 | 30    | 62.28  | 21.65 | 23                          | 20.25 | 16.25 | 2.12 | 0.06 | 20 | 1.1/4 | 1498  |
| 16    | 16                 | 33    | 67.91  | 23.62 | 25.5                        | 22.5  | 18.5  | 2.25 | 0.06 | 20 | 1.3/8 | 1949  |
| 18    | 18                 | 36    | 60.39  | 24.02 | 28                          | 24.75 | 21    | 2.37 | 0.06 | 24 | 1.3/8 | 2376  |
| 20    | 20                 | 39    | 86.38  | 24.02 | 30.5                        | 27    | 23    | 2.5  | 0.06 | 24 | 1.3/8 | 2970  |
| 24    | 24                 | 45    | 102.28 | 24.02 | 36                          | 32    | 27.25 | 2.75 | 0.06 | 24 | 1.5/8 | 5940  |