

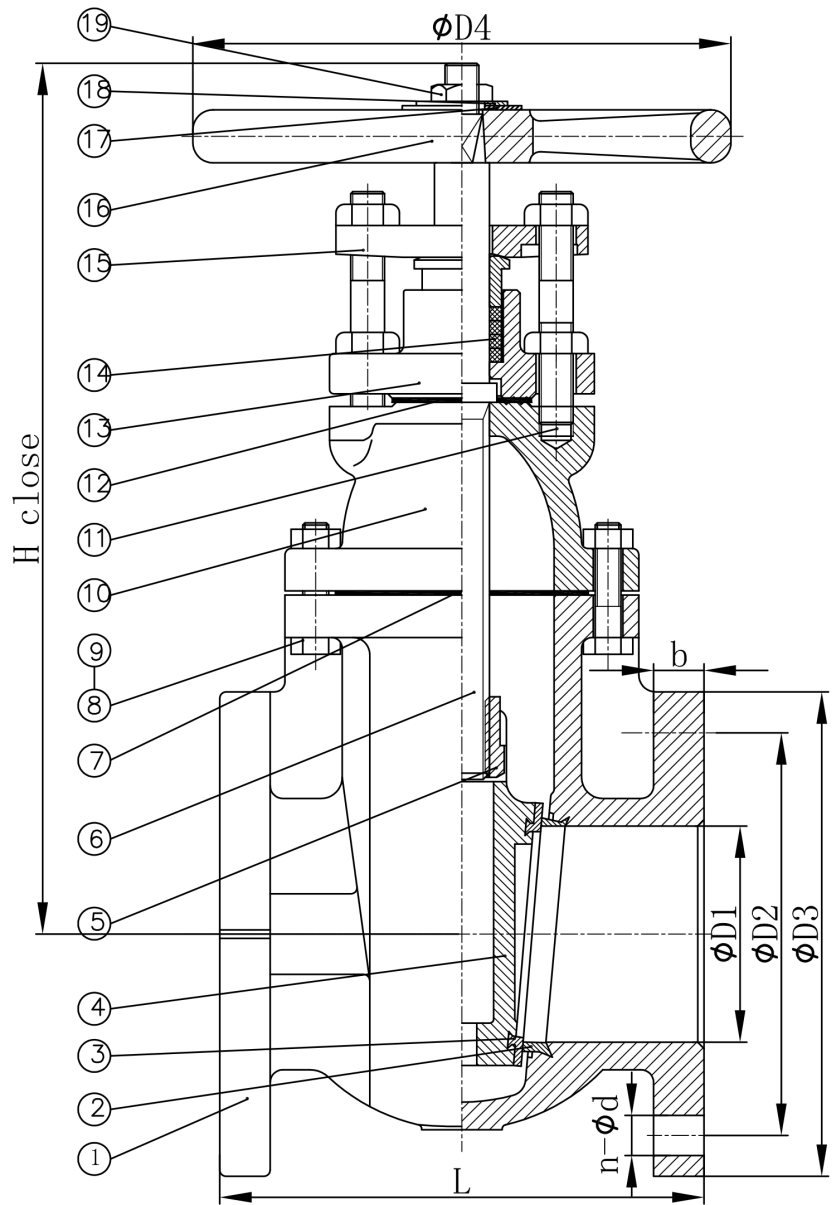
Steamco Valves

APPLICABLE STANDARDS

BASIC DESIGN: MSS SP-70, ASME B16.34

FLANGE DIMENSIONS: ASME B16.1

AVAILABLE IN ALL IRON



NO.	PART NAME	MATEREIAL	STANDARD	NO.	PART NAME	MATERIAL	STANDARD
1	BODY	CAST IRON	ASTM A126 B	10	BONNET	CAST IRON	ASTM B126 B
2	SEAT RING	CAST BRONZE	ASTM B62	11	BOLTS	STEEL	ASTM A307 B
3	WEDGE FACE RING	CAST BRONZE	ASTM B62	12	GASKET	GRAPHITE	NON ASBESTOS
4	WEDGE	CAST IRON	ASTM A126 B	13	STUFFING BOX	CAST IRON	ASTM A126 B
5	STEM BUSHING	CAST BRASS	ASTM B584	14	PACKING	GRAPHITE	NON ASBESTOS
6	STEM	BRASS	ASTM B16	15	GLAND FOLLOWER	DUCTILE IRON	ASTM A536
7	GASKET	GRAPHITE	NON ASBESTOS	16	HANDWHEEL	CAST IRON	ASTM A126 B
8	BOLTS	STEEL	ASTM A307 B	17	NAME PLATE	ALUMINUM	COMMERCIAL
9	NUTS	STEEL	ASTM A307 B	18	WASHER	STEEL	ASTM A307 B
				19	NUT	STEEL	ASTM A307 B

SIZE	2"	2-1/2"	3"	4"	5"	6"	8"	10"	12"	14"	16"	18"	20"	24"
L	7	7.5	8	9	10	10.5	11.5	13	14	15	16	17	18	20
D1	2	2.5	3	4	5	6	8	10	12	14	16	18	20	24
D2	4.75	5.5	6	7.5	8.5	9.5	11.75	14.25	17	18.75	21.25	22.75	25	29.5
D3	6	7	7.5	9	10	11	13.5	16	19	21	23.5	25	27.5	32
b	0.62	0.69	0.75	0.94	0.94	1	1.12	1.19	1.25	1.38	1.44	1.56	1.69	1.88
n-φd	4 x 3/4	4 x 3/4	4 x 3/4	8 x 3/4	8 x 7/8	8 x 7/8	8 x 7/8	12 x 1	12 x 1	12 x 1-1/8	16 x 1-1/8	16 x 1-1/4	20 x 1-1/4	20 x 1-3/8
D4	7	7	7.9	10	11.8	11.8	13.7	13.7	18	20	22	24	25.4	30
H	10.9	12.2	12.8	15.7	19.2	21.4	24.8	29.6	33.2	38	40.7	46.5	49.3	56.8
WEIGHT (lbs)	35.86	47.3	58.3	96.8	146.3	182.6	255.2	426.8	609.4	820.6	1012	1540	1634.6	2442

Steamco Fig. 125B

CLASS 125 NRS GATE VALVE